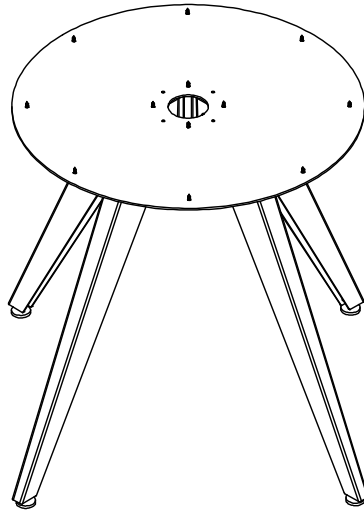
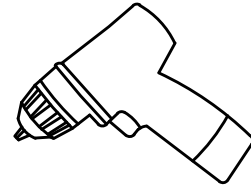
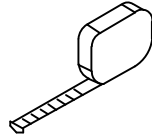
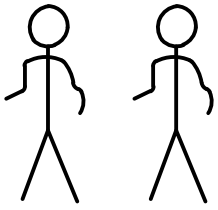


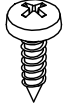
Assembly Instructions

Cabale café



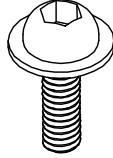


12 xA



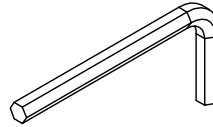
ø4,5 x 16 mm
ø 0.18" x 0.63"

32 xB

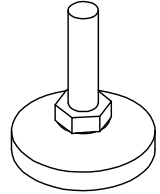


M6 x 16 mm
M 0.24" x 0.63"

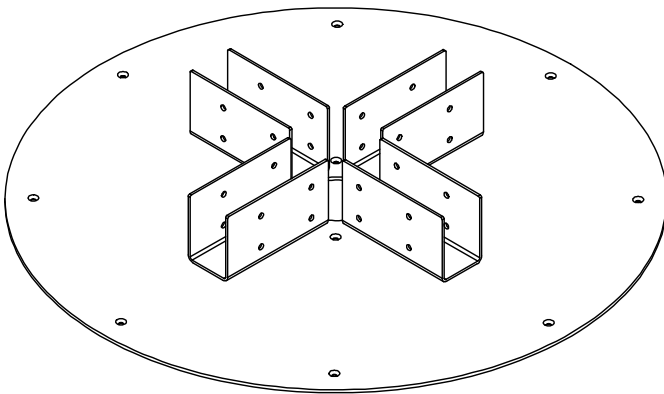
1 xC



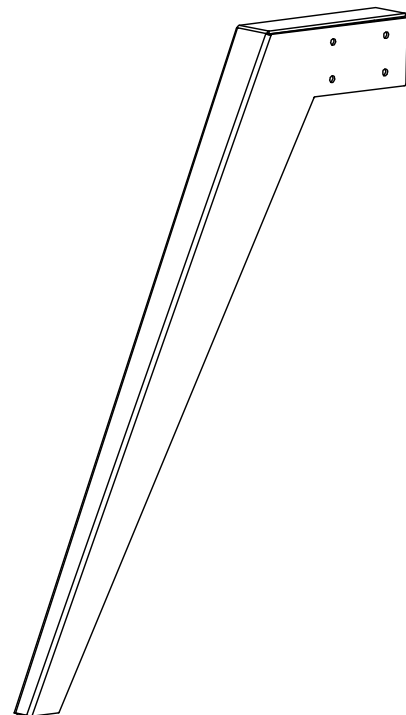
4 xD



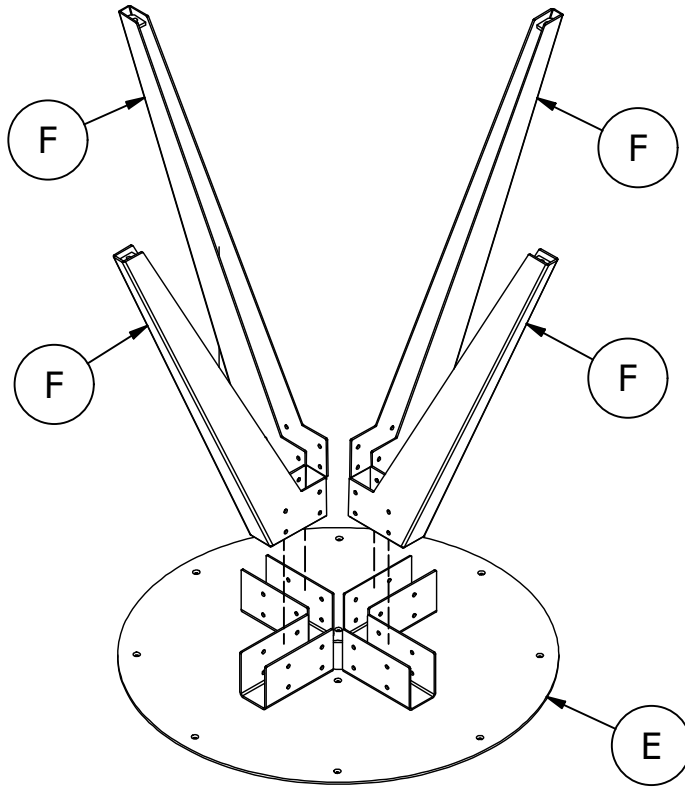
1 xE



4 xF

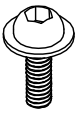


1



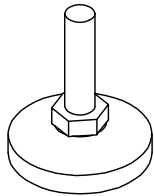
2

32 xB

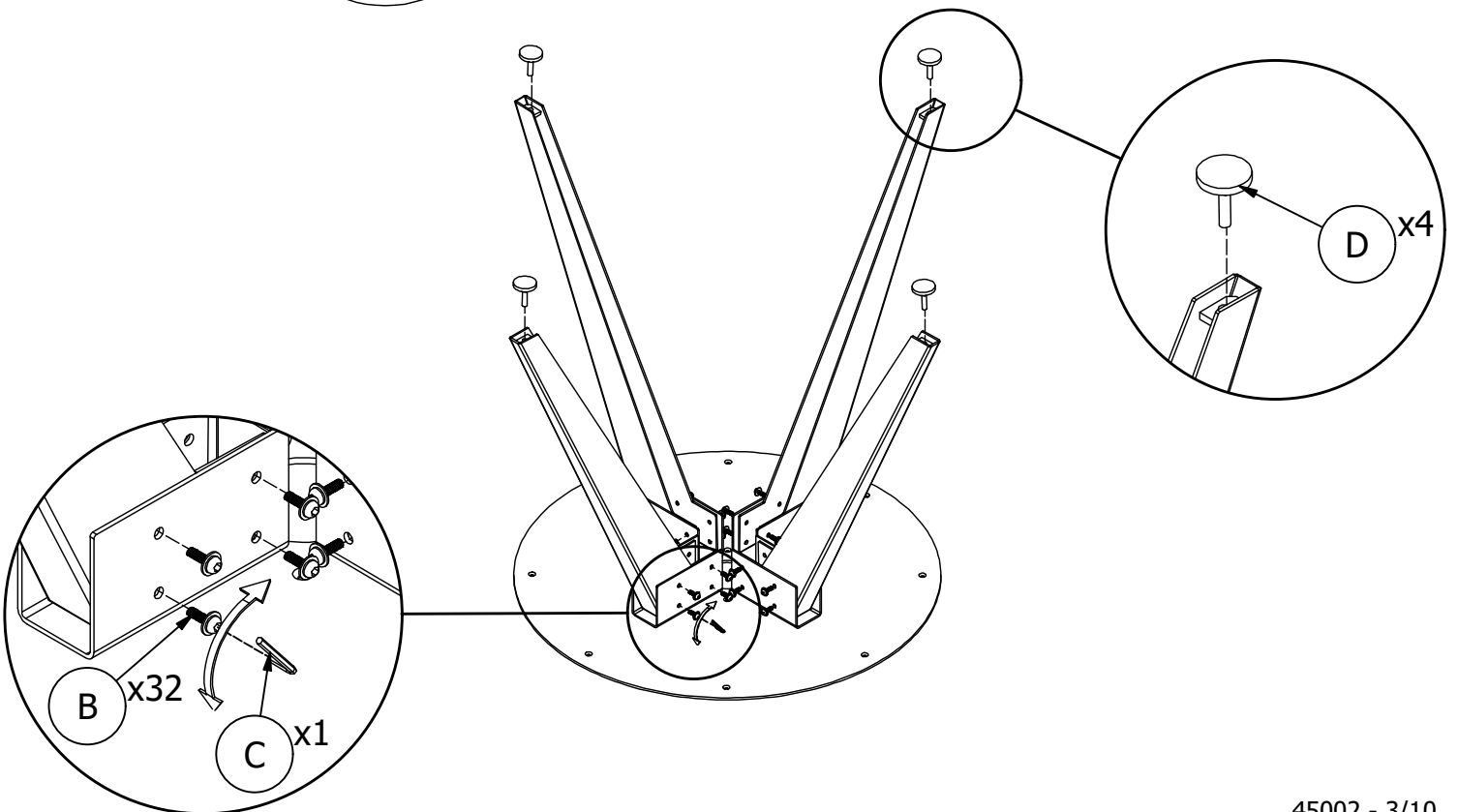
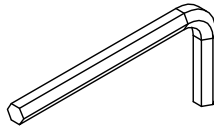


M6 x 16 mm
M 0.24" x 0.63"

4 xD

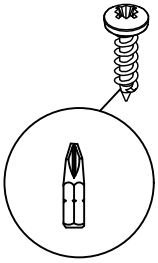


1 xC

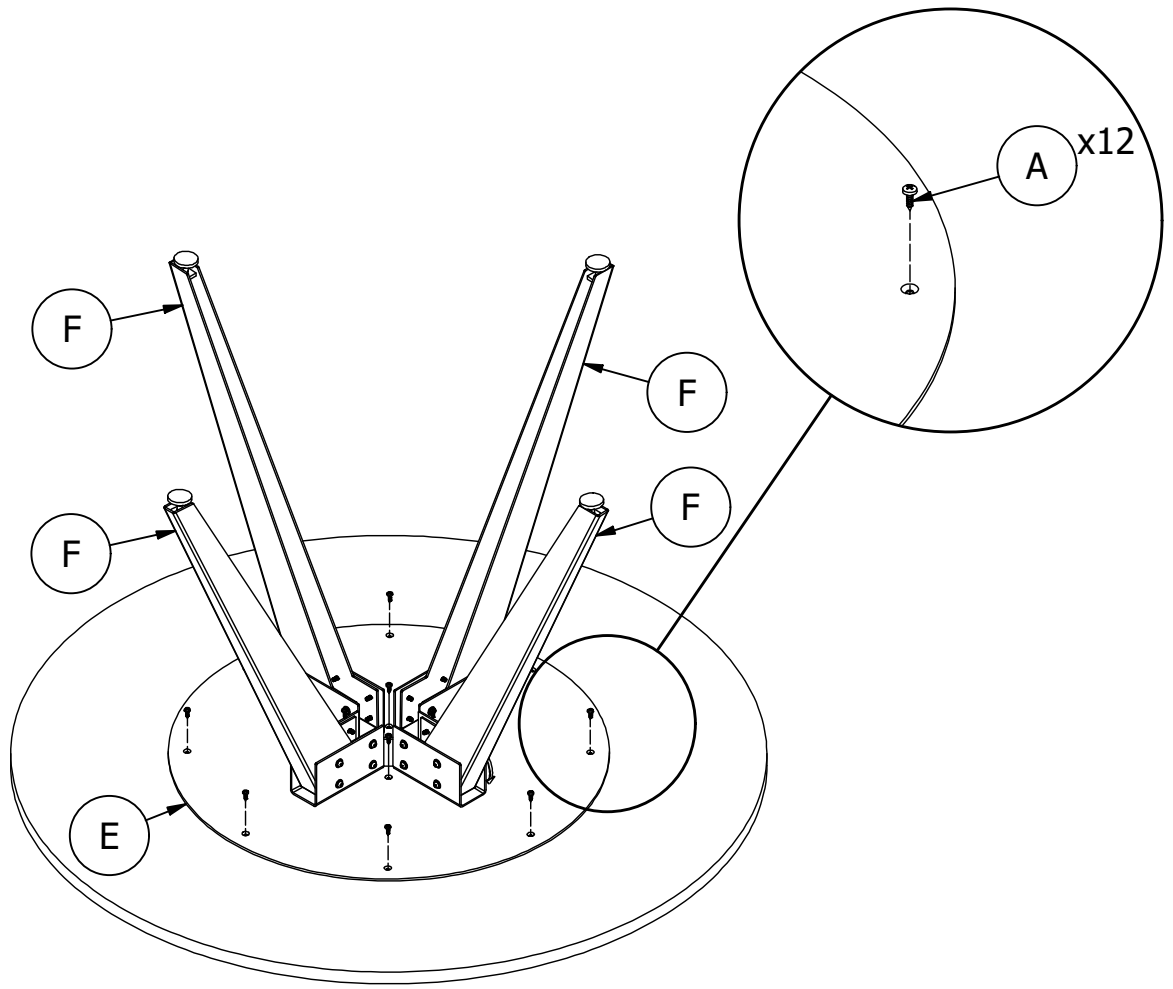


3

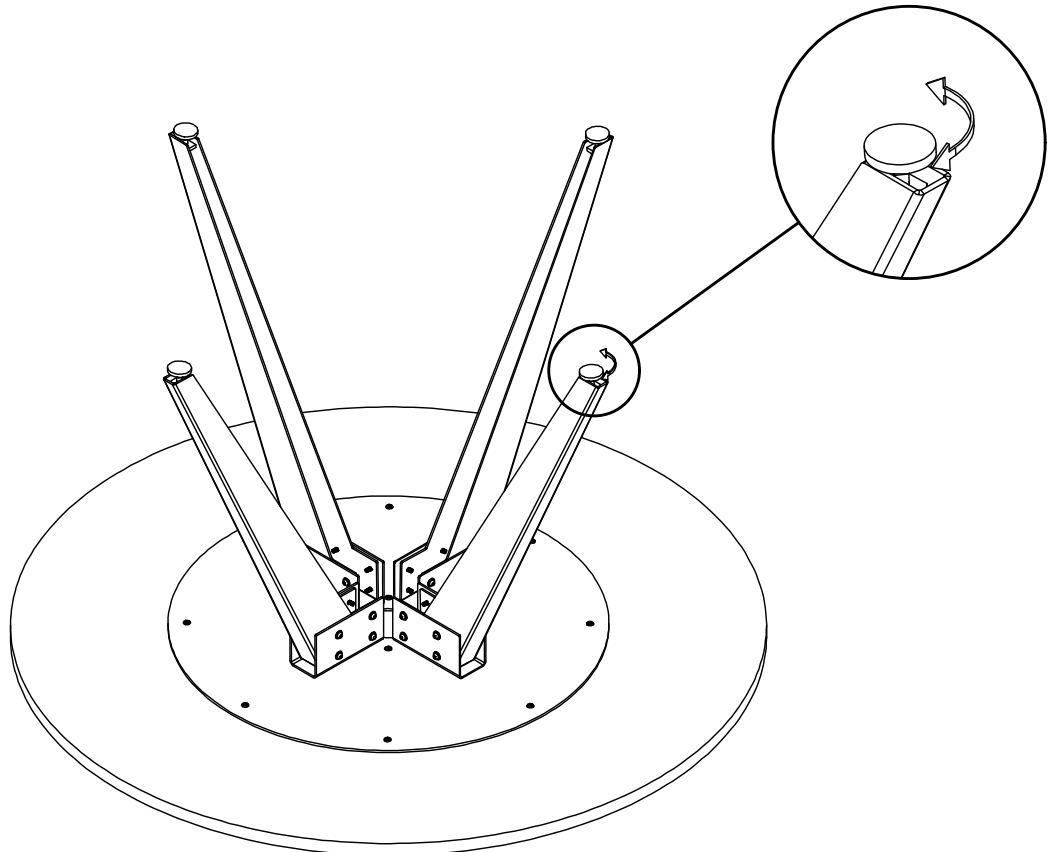
12 xA

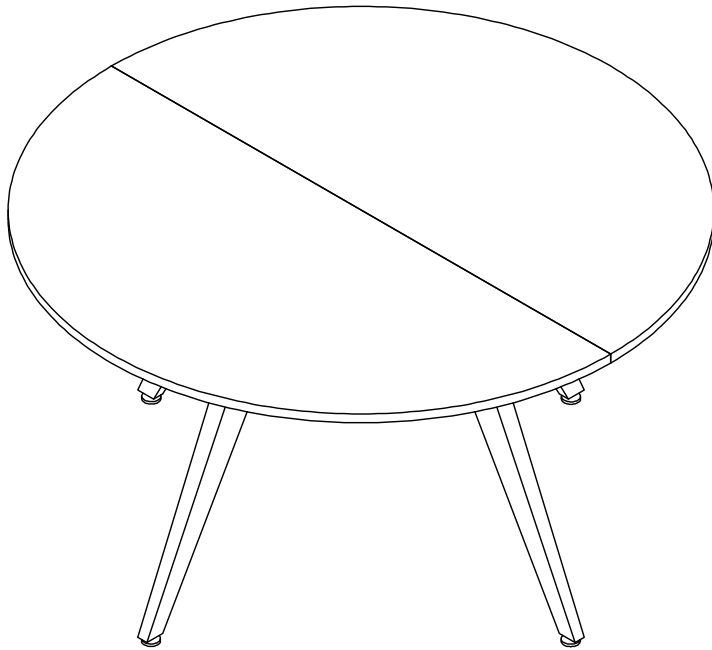
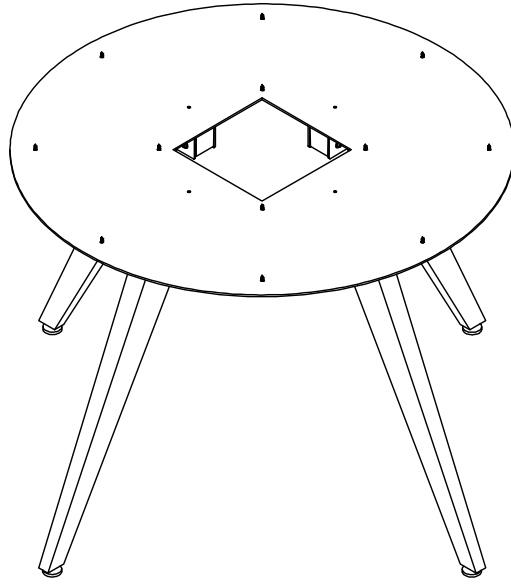


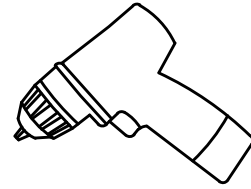
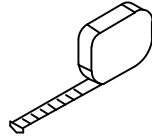
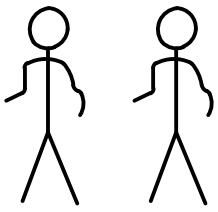
Ø4,5 x 16 mm
Ø 0.18" x 0.63"



4





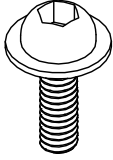


12 xA



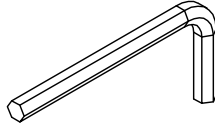
Ø4,5 x 16 mm
Ø 0.18" x 0.63"

32 xB

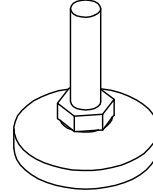


M6 x 16 mm
M 0.24" x 0.63"

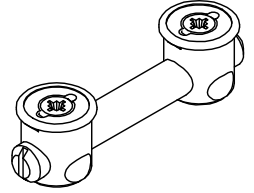
1 xC



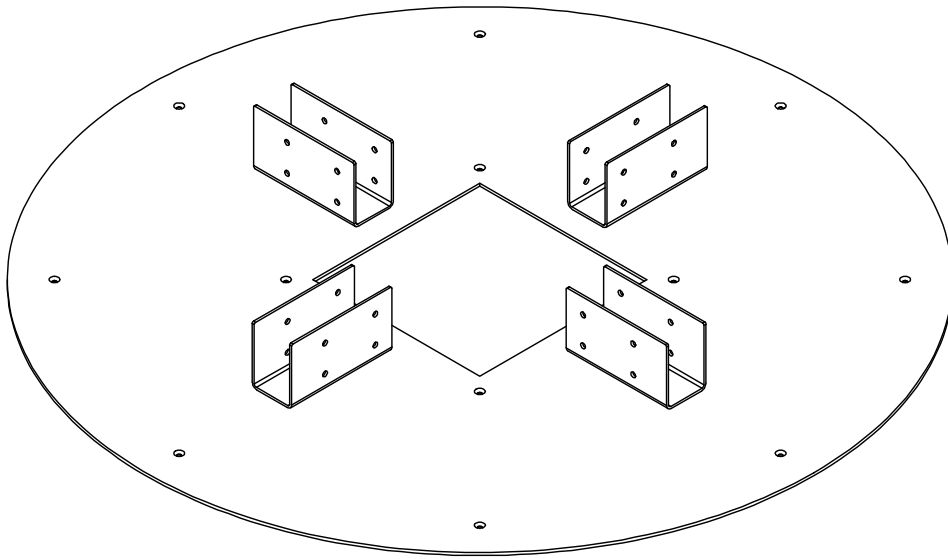
4 xD



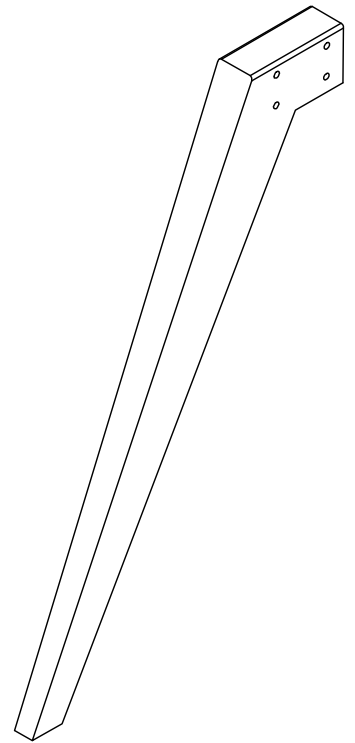
4 xE



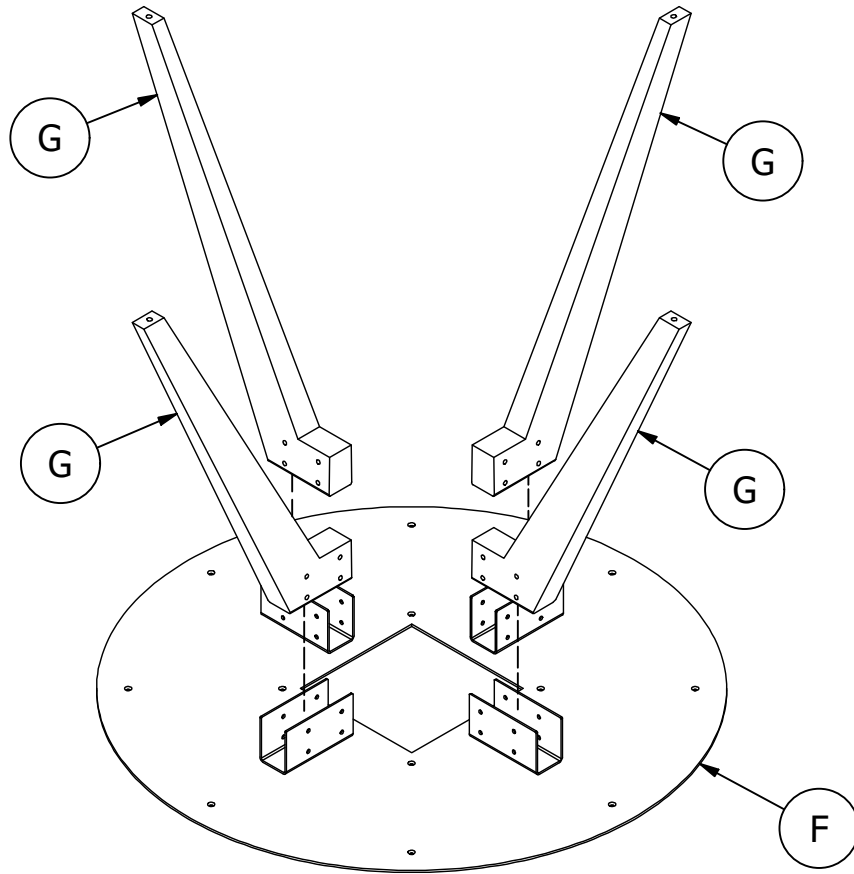
1 xF



4 xG

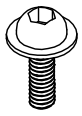


1



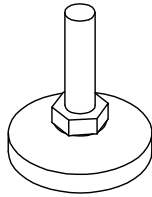
2

32 xB

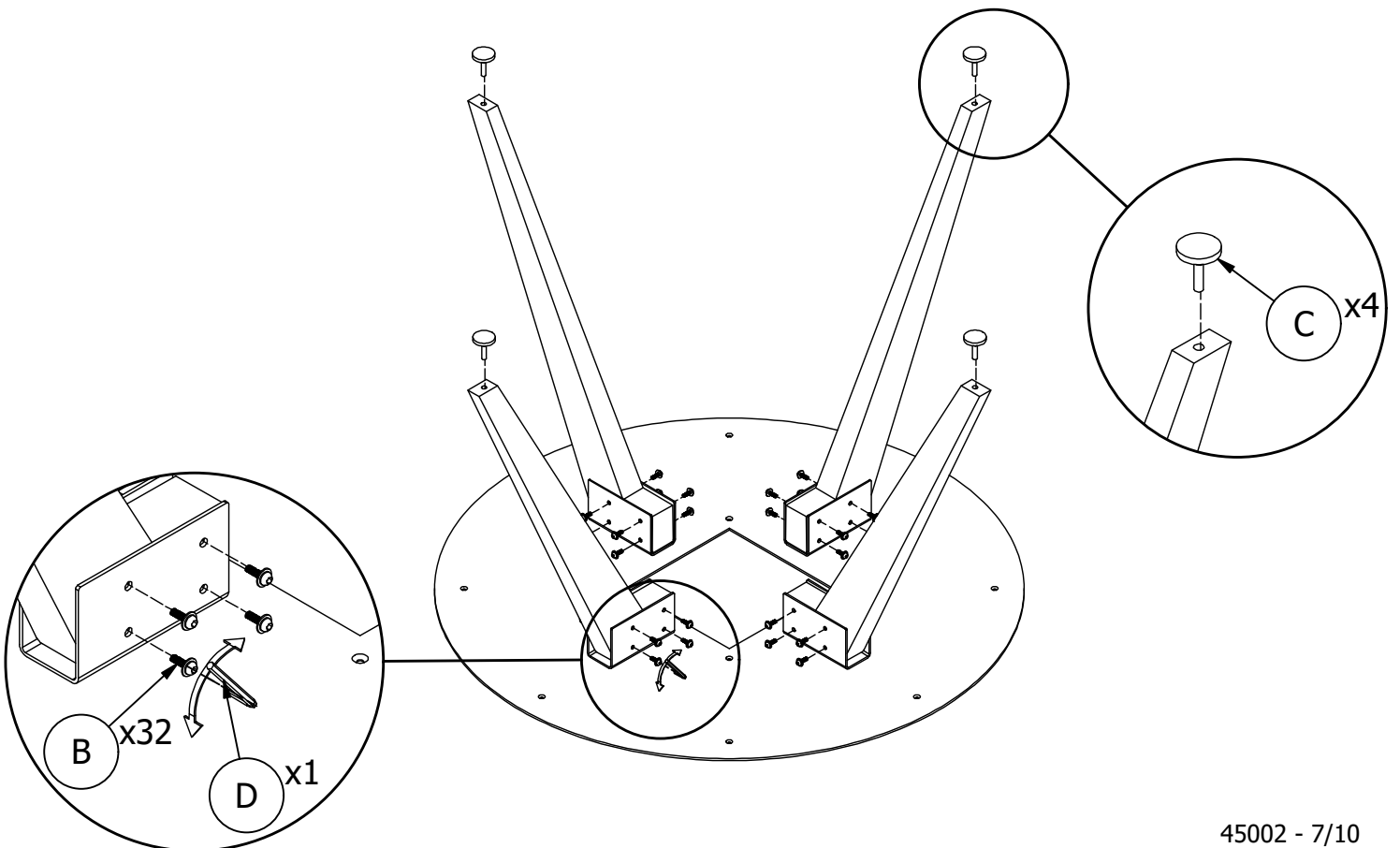
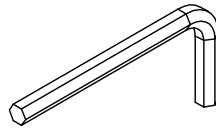


M6 x 16 mm
M 0.24" x 0.63"

4 xC

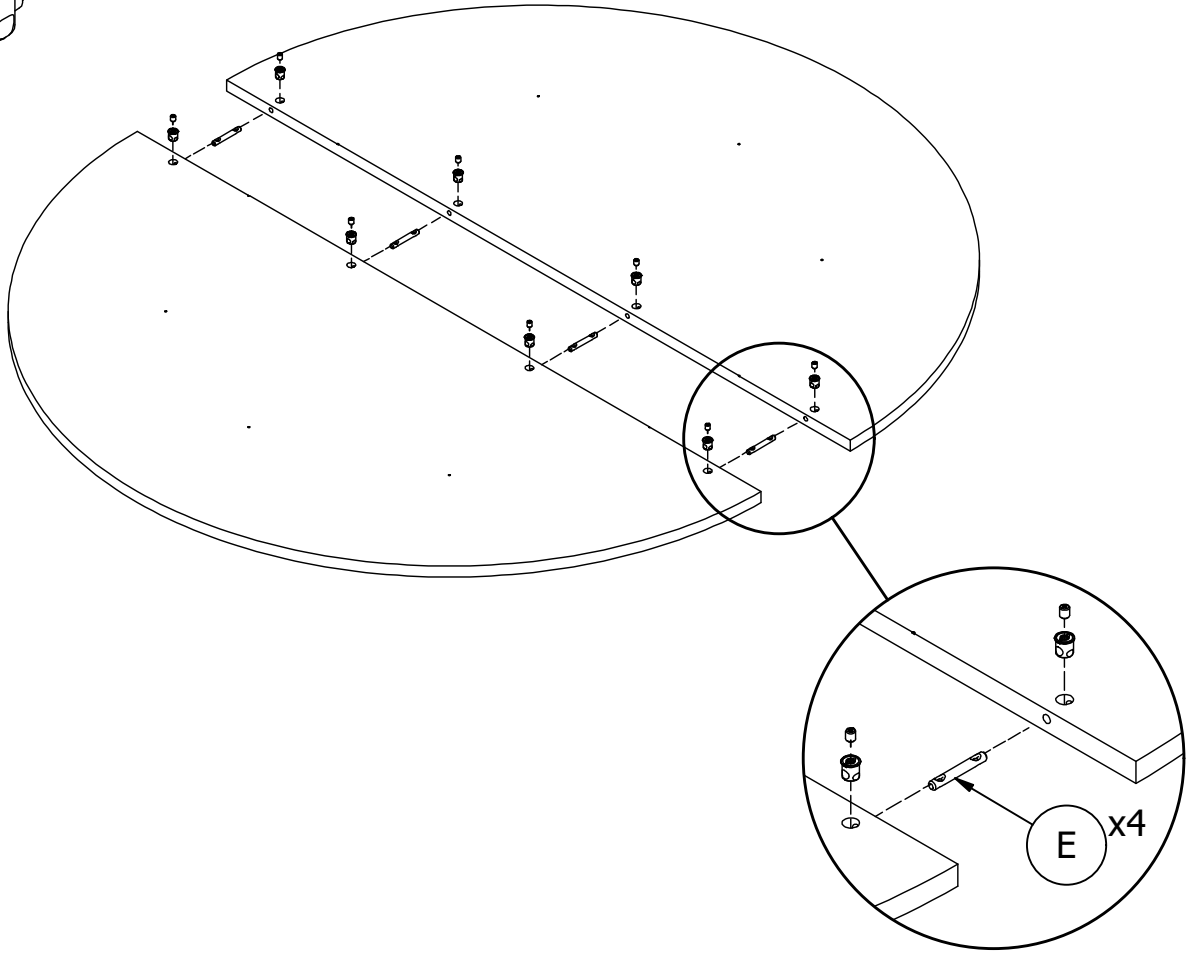
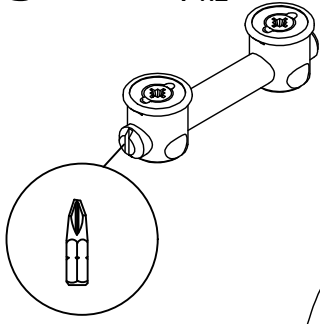


1 xD



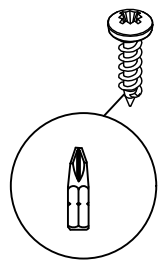
3

4 xE

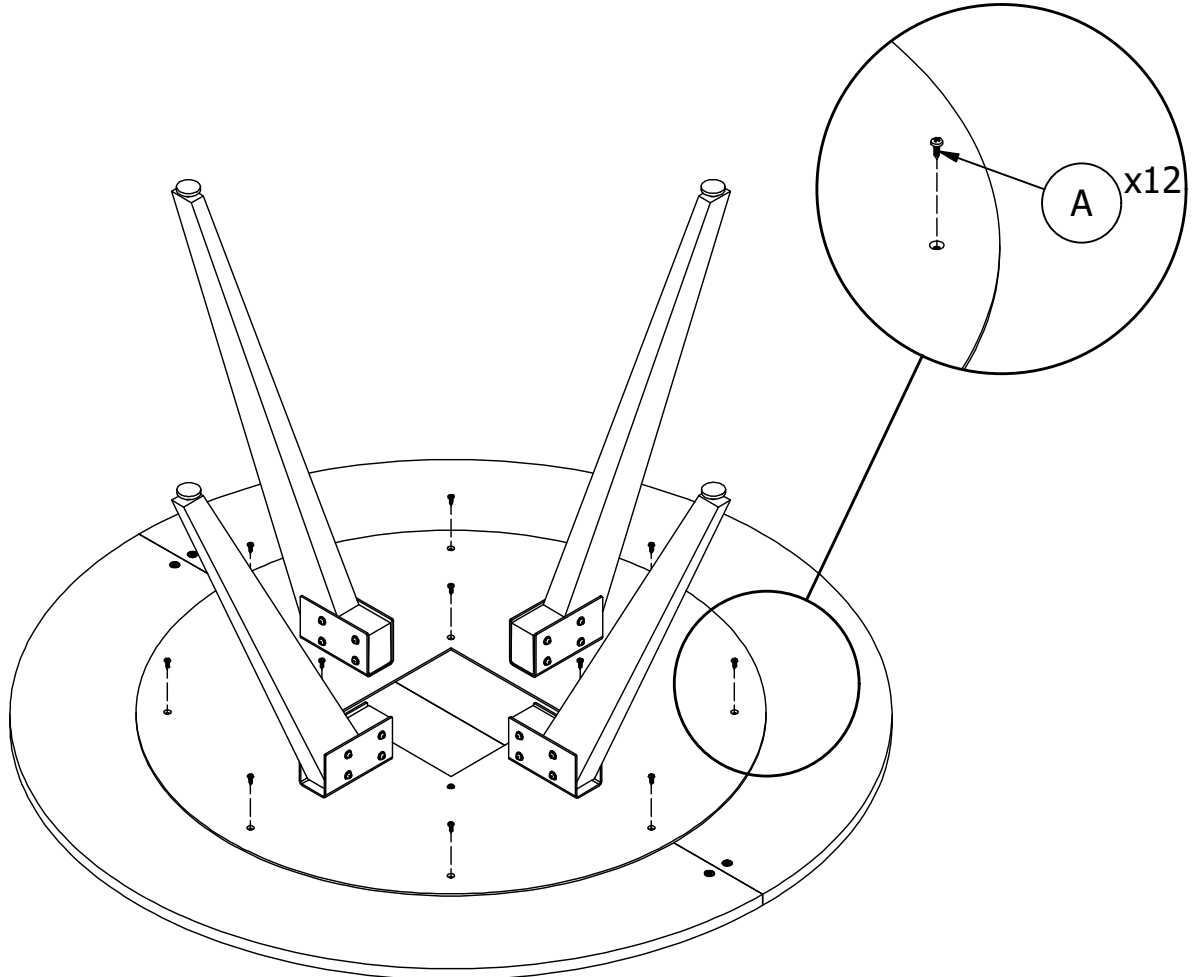


4

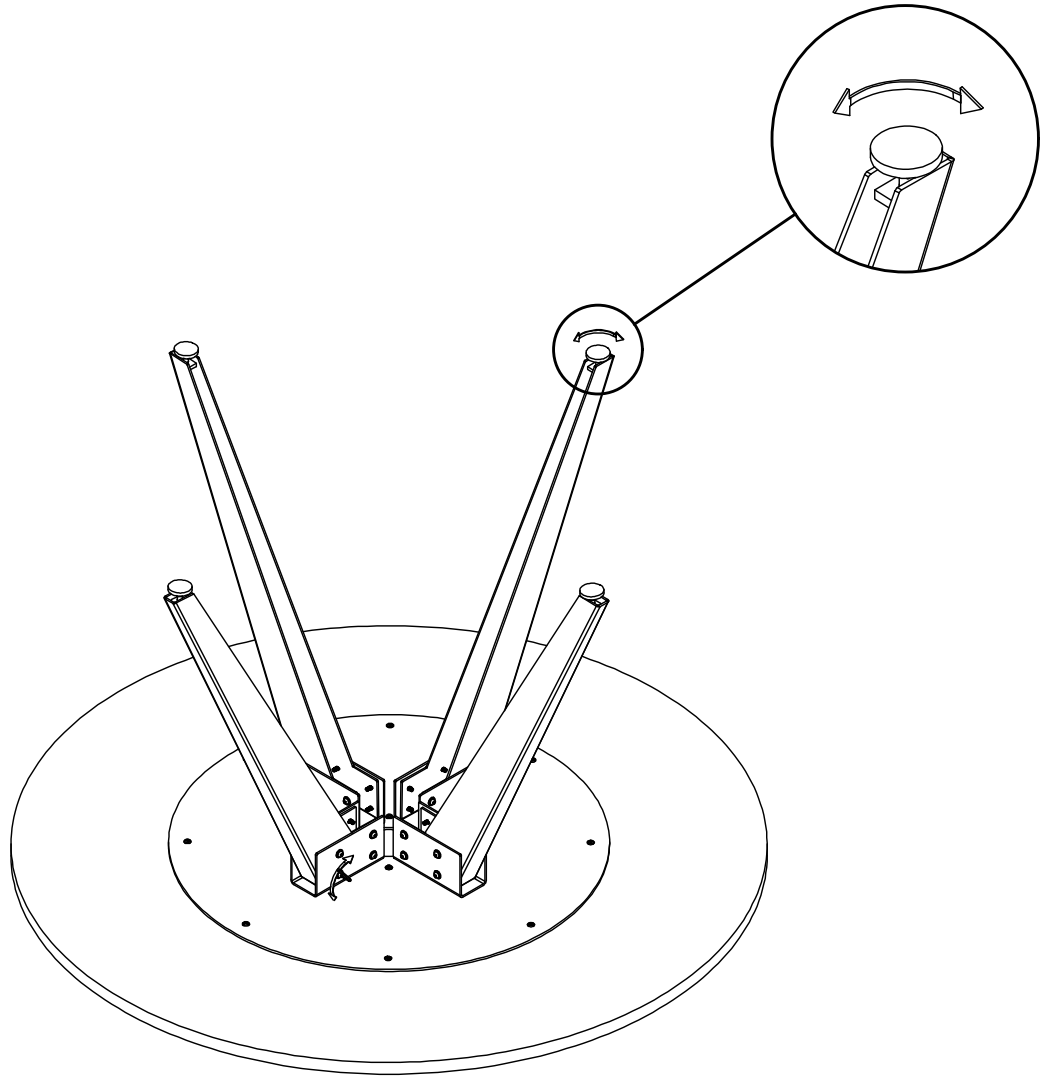
12 xA



ø4,5 x 16 mm
ø 0.18" x 0.63"



5



HOLMRIS B8

Furniture Care Instructions

Veneer Product:

The furniture is lacquered and do not require specific care.

Daily cleaning should be done using a soft dry cloth. Once in a while clean with a cloth rinsed with warm water and wrung out tightly.

Linoleum:

Daily cleaning of linoleum should be done using a mild cleaning solution. We recommend using cleaning product with a PH value between 5 and 9 in diluted form. We also recommend using a linoleum care product twice a year.

If very soiled use mild cleaning product to recommended dilution. Follow with clean water and linoleum specific care product.

Laminate:

No specific care required.

Laminate is a plastic product and can be cleaned using most non-abrasive cleaning products.

General:

Never place your furniture in a wet room, or other places with large changes in temperature and moisture. This will compromise the look and life span of the furniture.