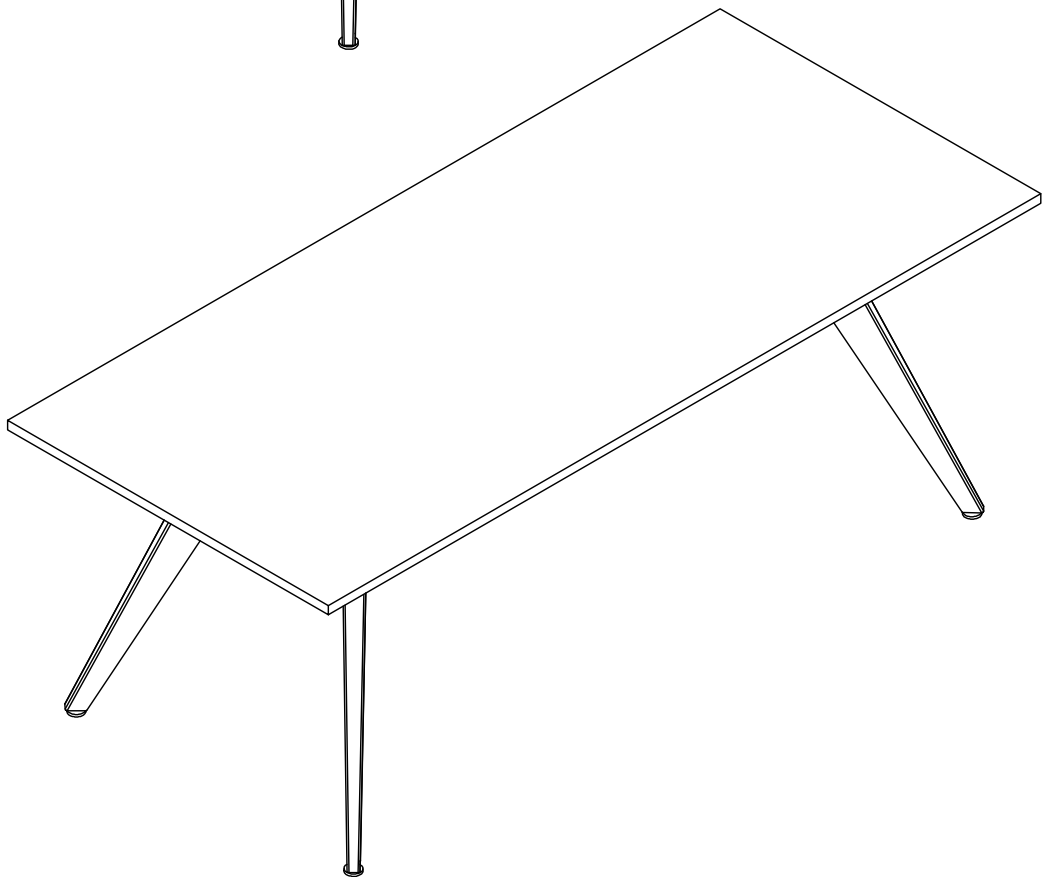
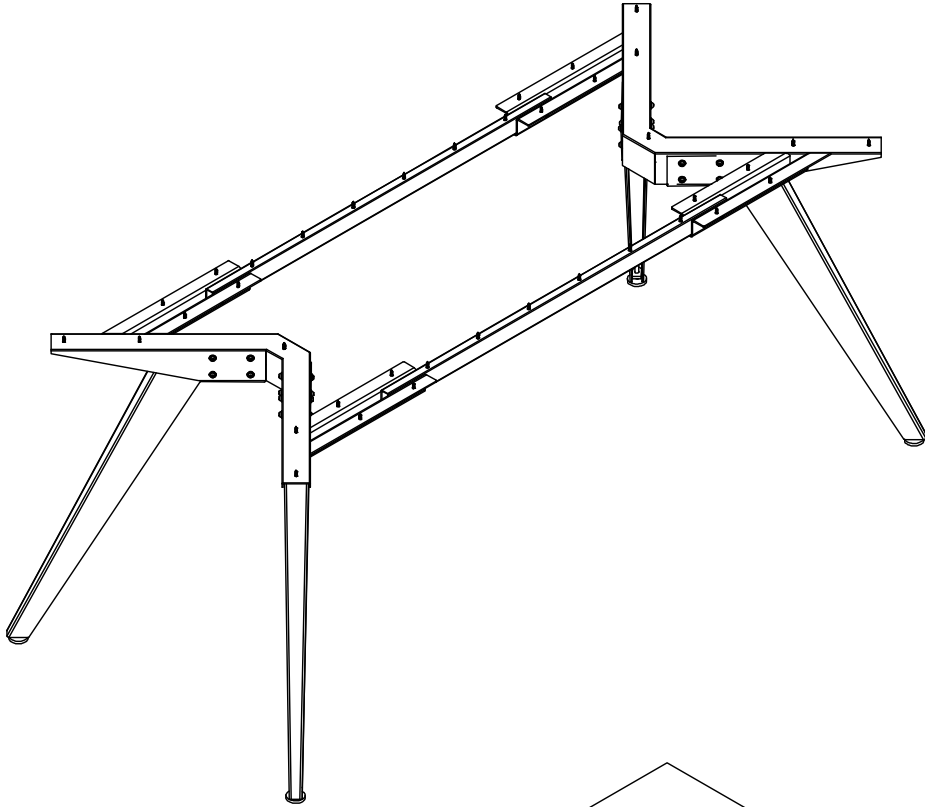
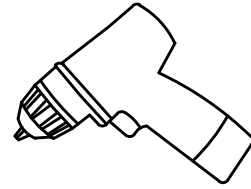
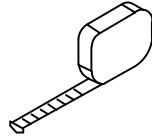
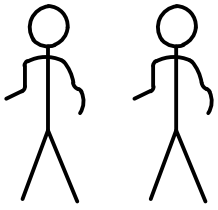


Assembly Instructions

Cabale Meeting Table





38 xA



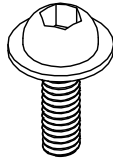
Ø4,5 x 16 mm
Ø 0.18" x 0.63"

16 xB



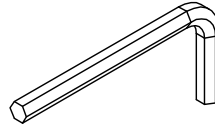
Ø4,2 x 13 mm
Ø 0.17" x 0.52"

32 xC

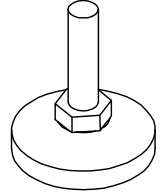


M6 x 16 mm
M 0.24" x 0.63"

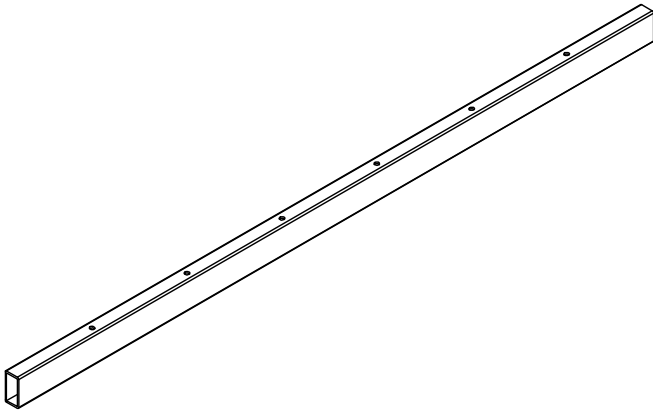
1 xD



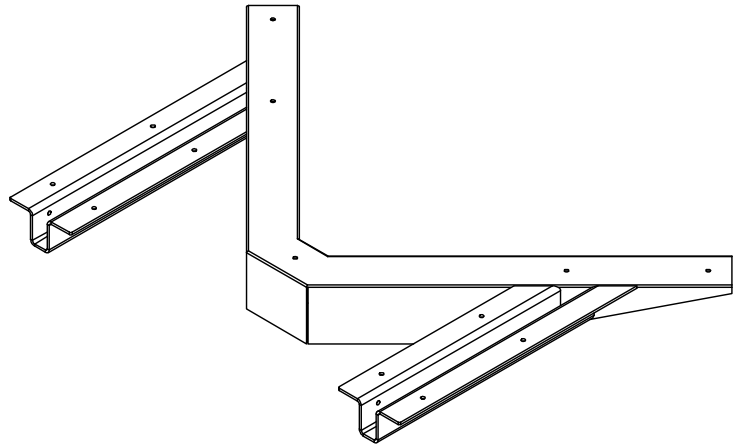
4 xE



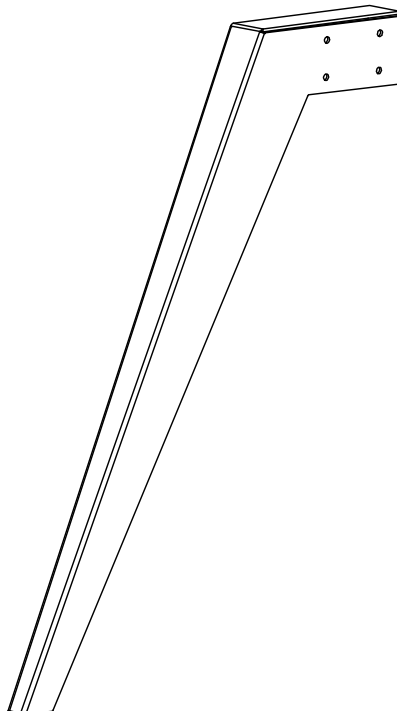
2 xF



2 xG



4 xH

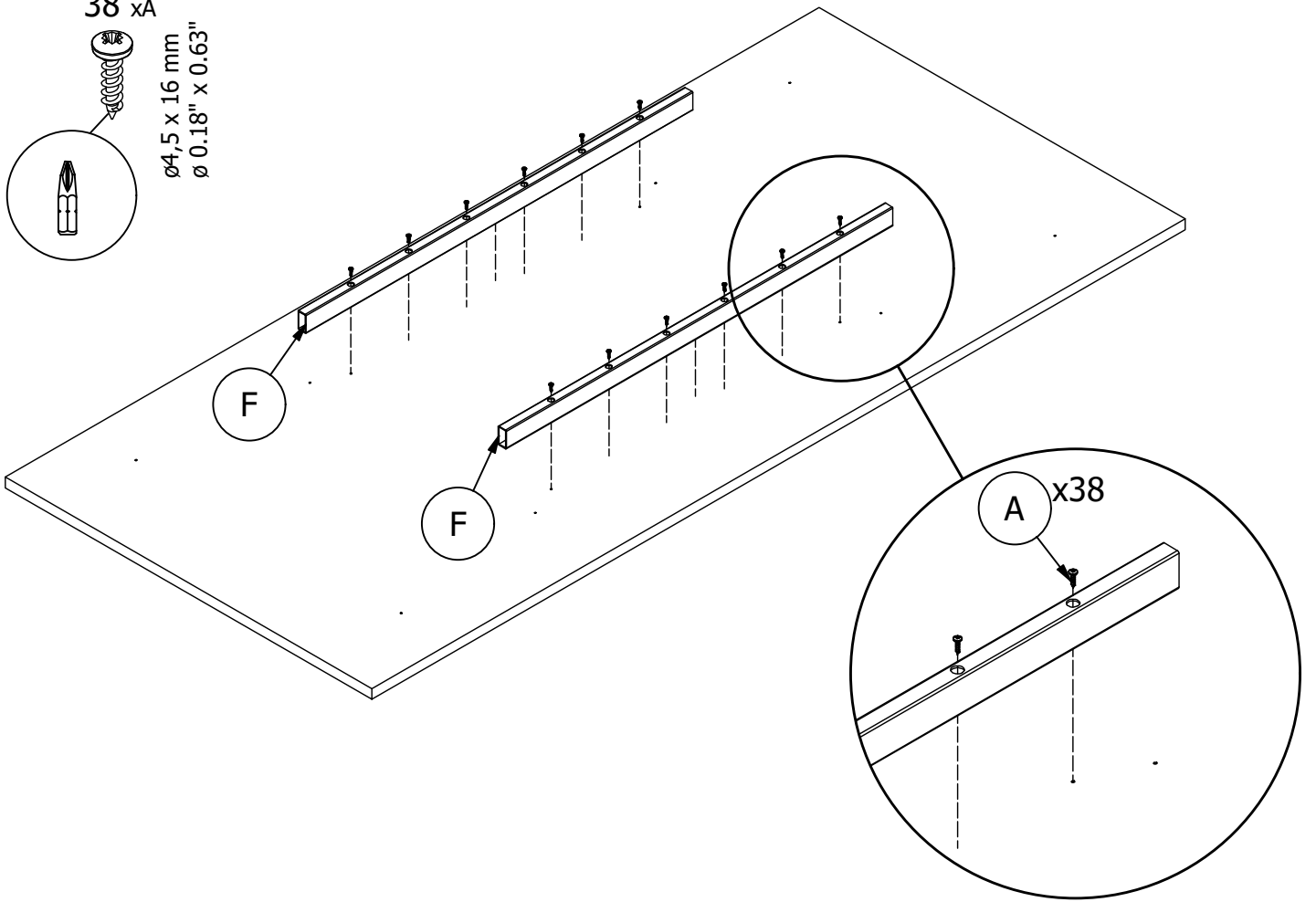


1

38 xA

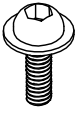


Ø4,5 x 16 mm
Ø 0.18" x 0.63"



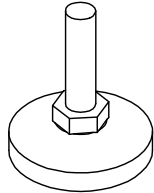
2

32 xC

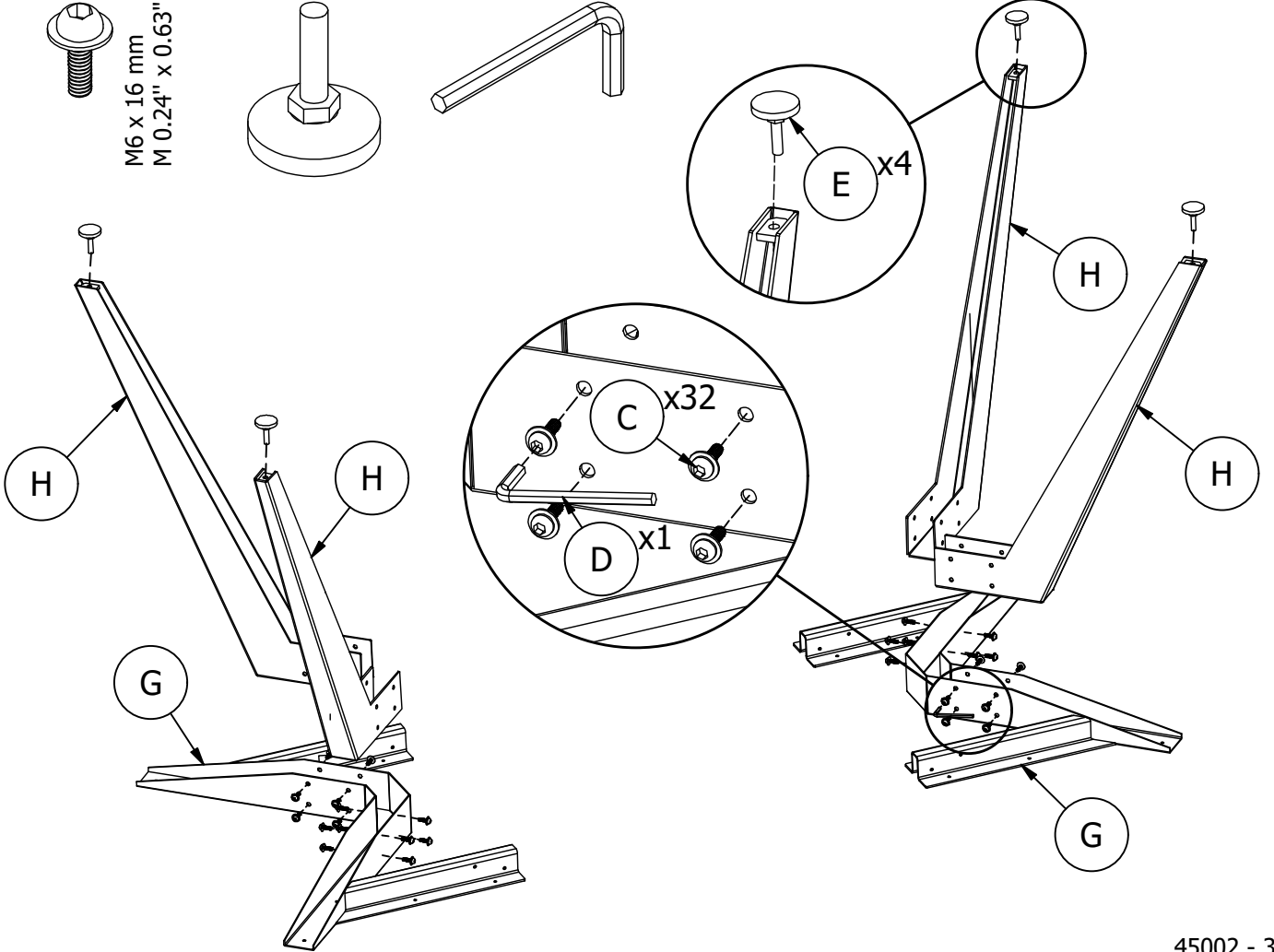
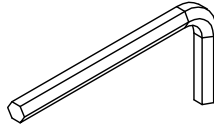


M6 x 16 mm
M 0.24" x 0.63"

4 xE



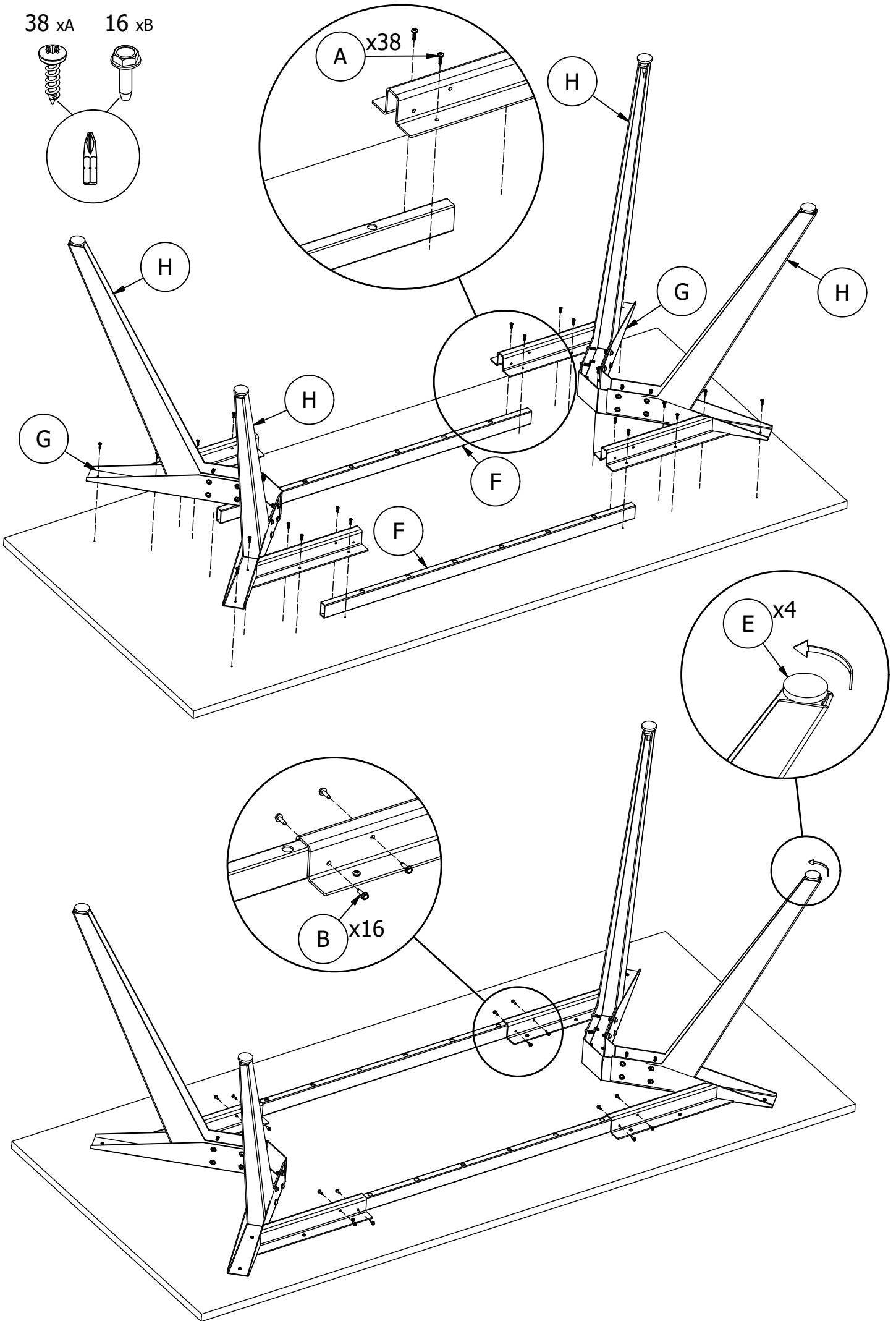
1 xD

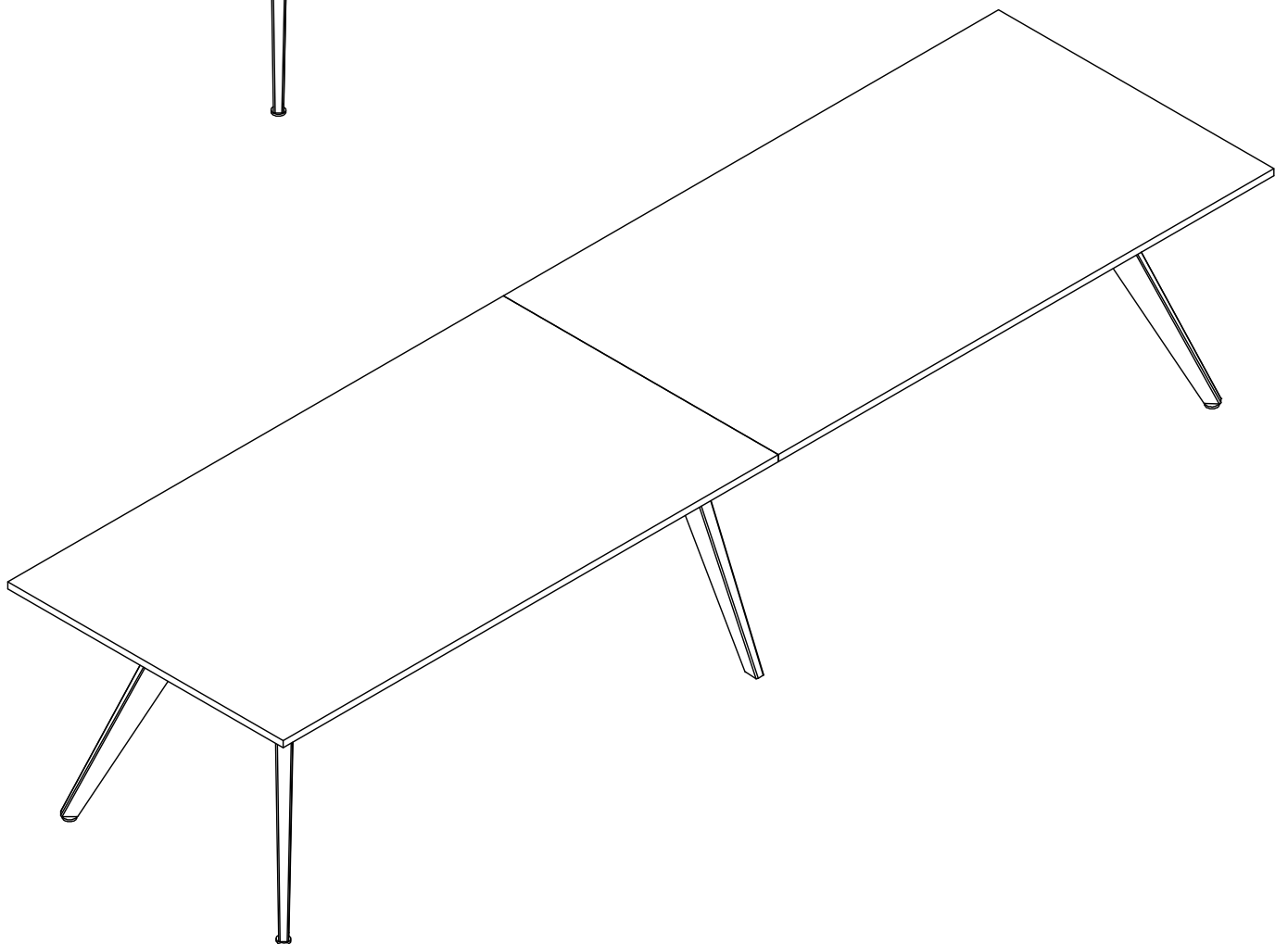
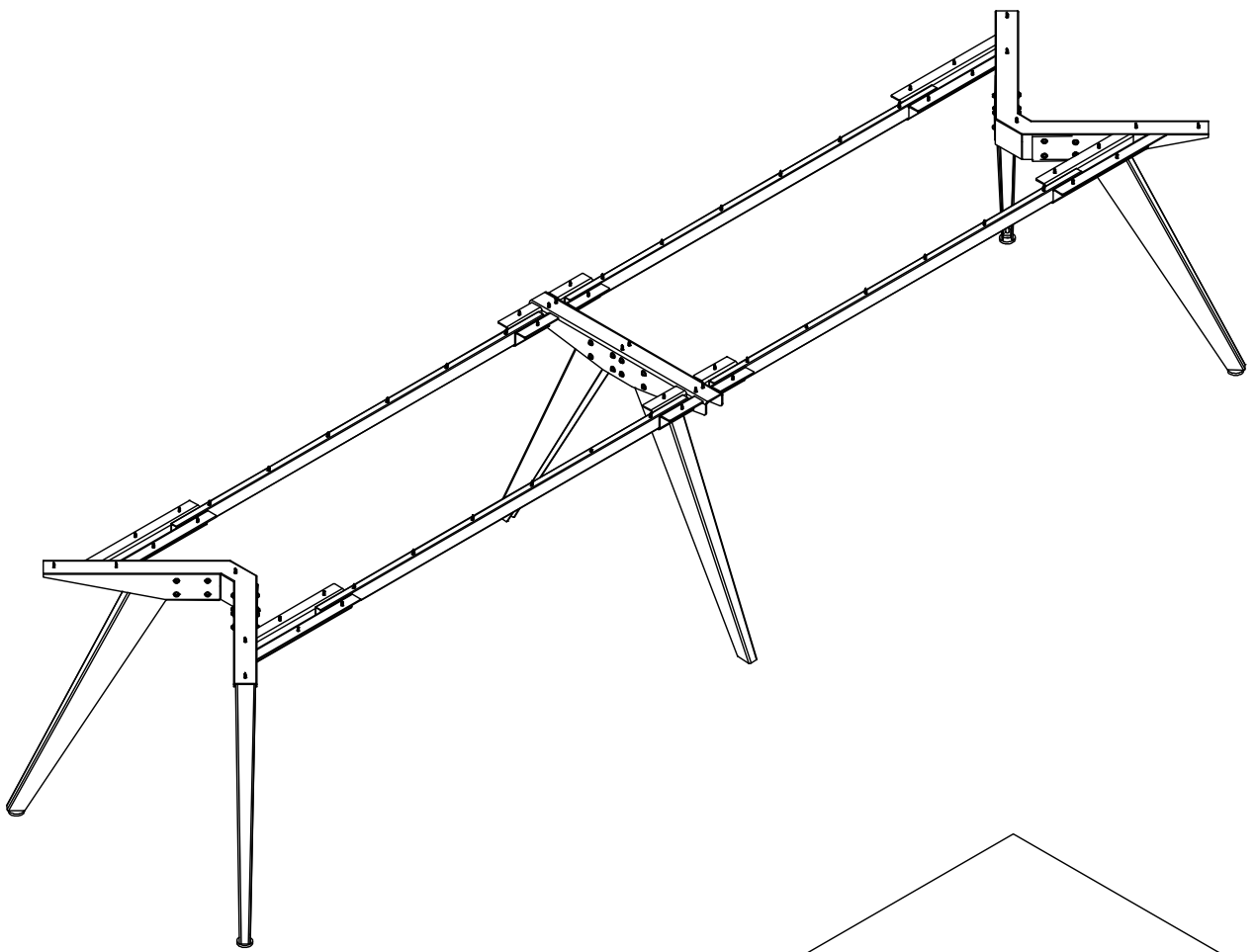


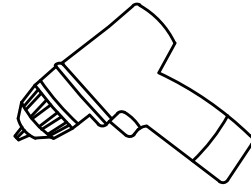
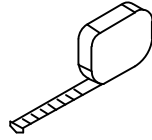
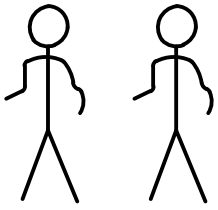
3

38 xA

16 xB







64 xA



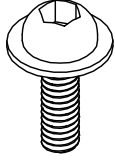
Ø4,5 x 16 mm
Ø 0.18" x 0.63"

24 xB



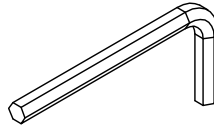
Ø4,2 x 13 mm
Ø 0.17" x 0.52"

48 xC

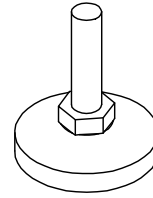


M6 x 16 mm
M 0.24" x 0.63"

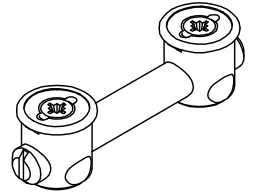
1 xD



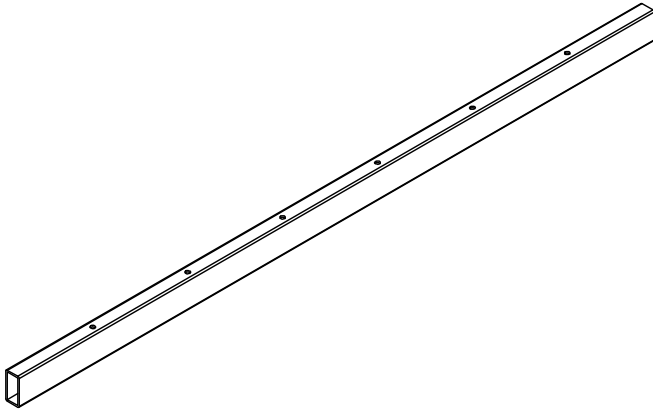
4 xE



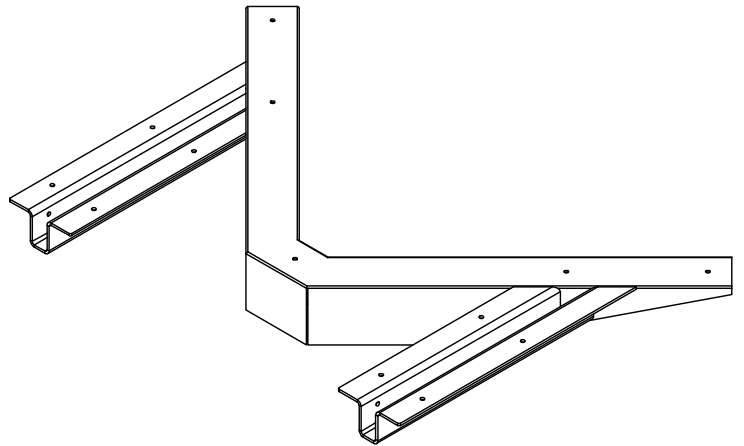
4 xF



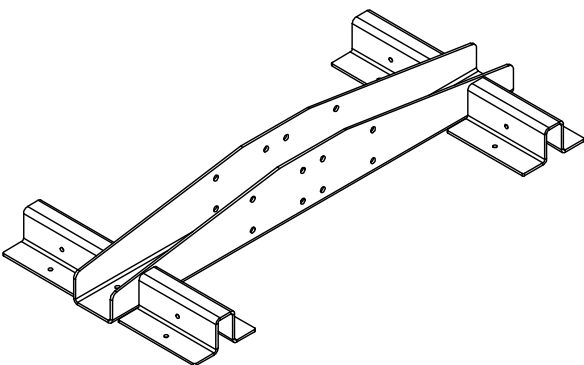
4 xG



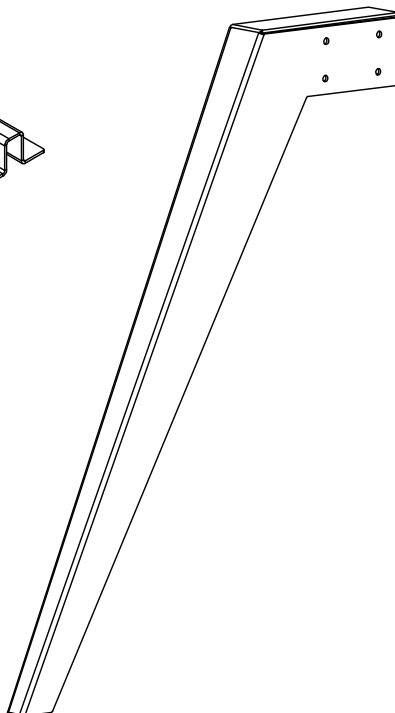
2 xH



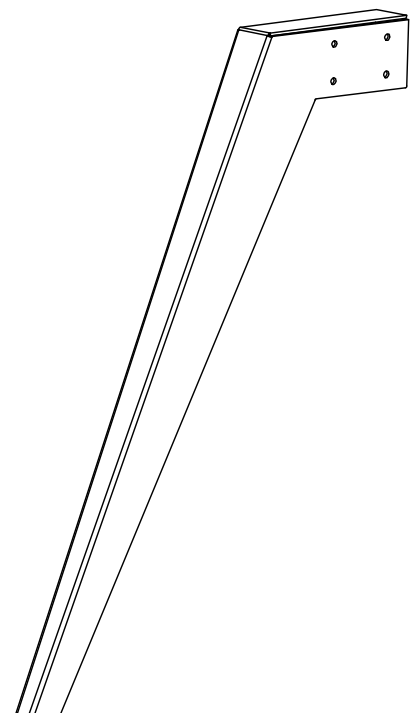
1 xI



4 xJ



2 xK

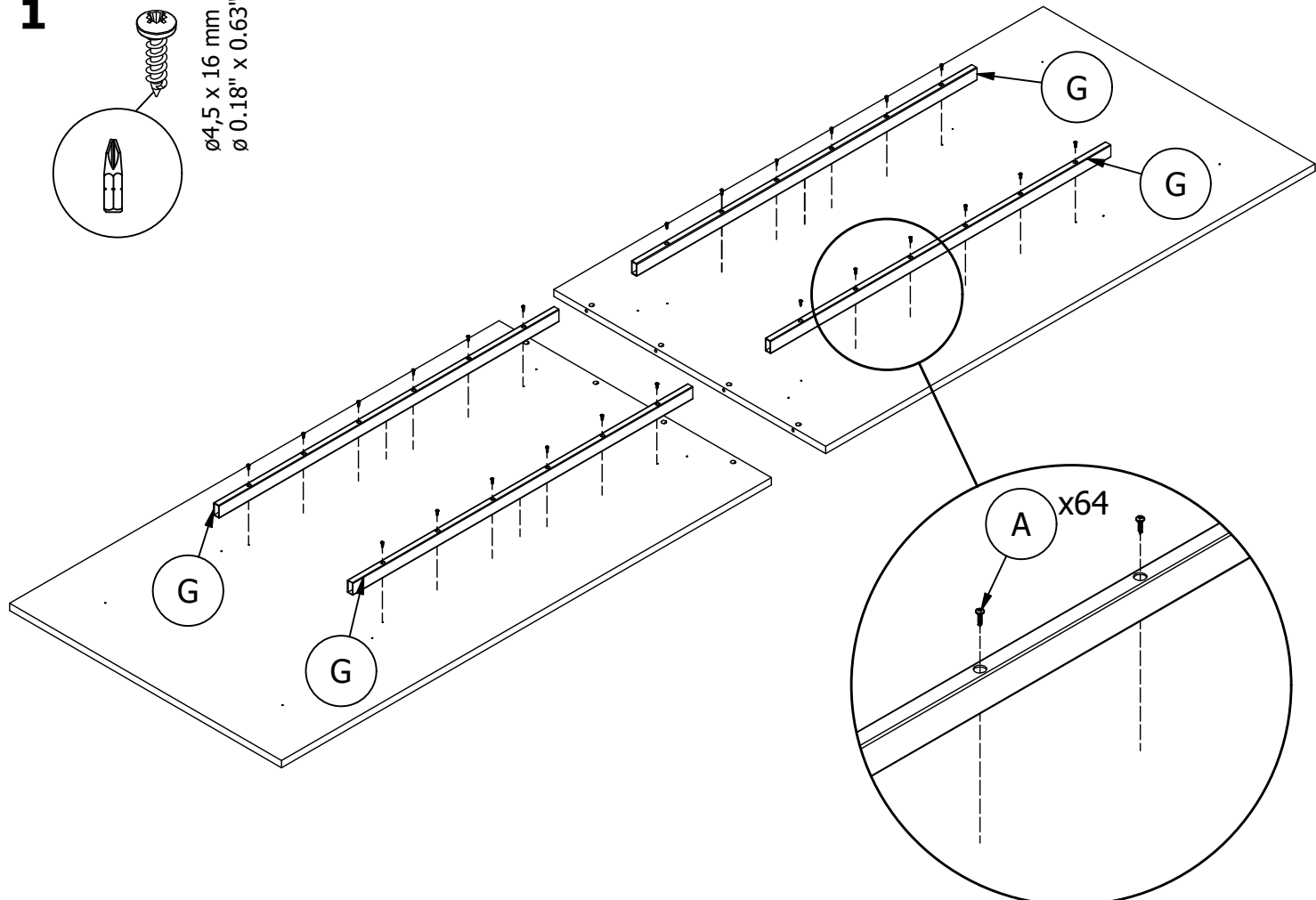


1

64 xA

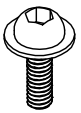


ø4,5 x 16 mm
ø 0.18" x 0.63"



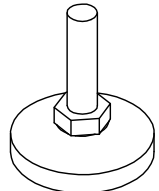
2

48 xC

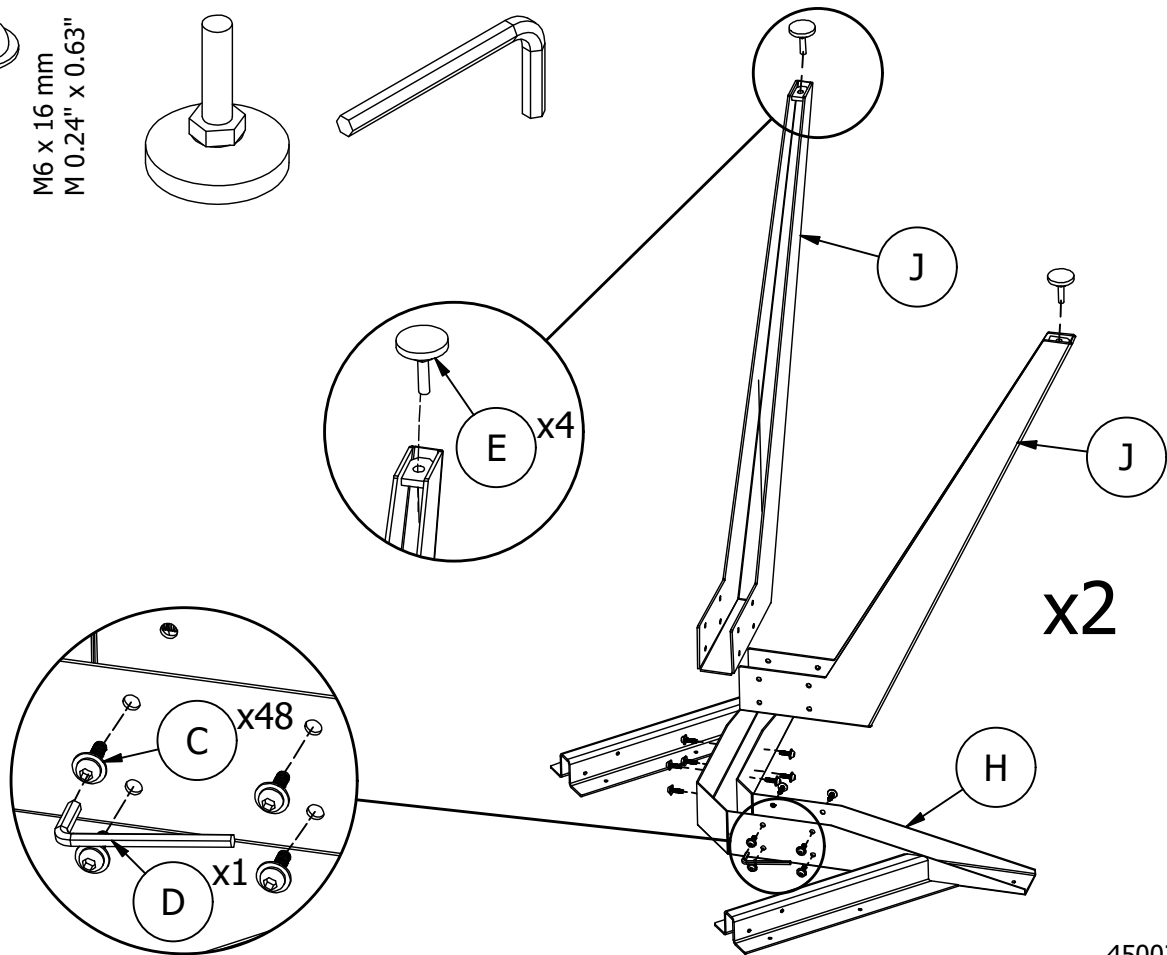
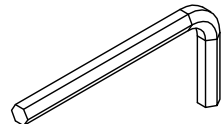


M6 x 16 mm
M 0.24" x 0.63"

4 xE



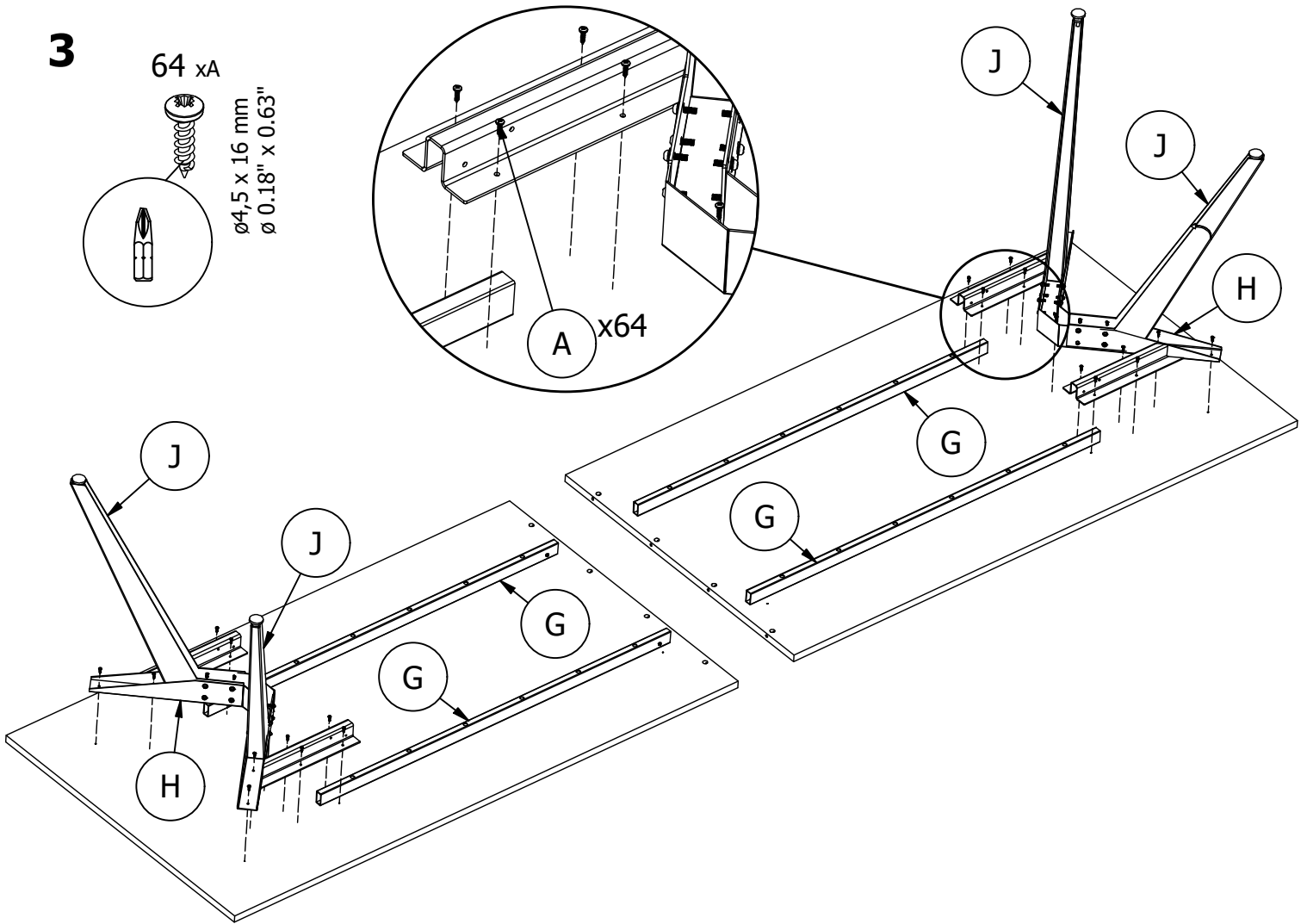
1 xD



3

64 xA

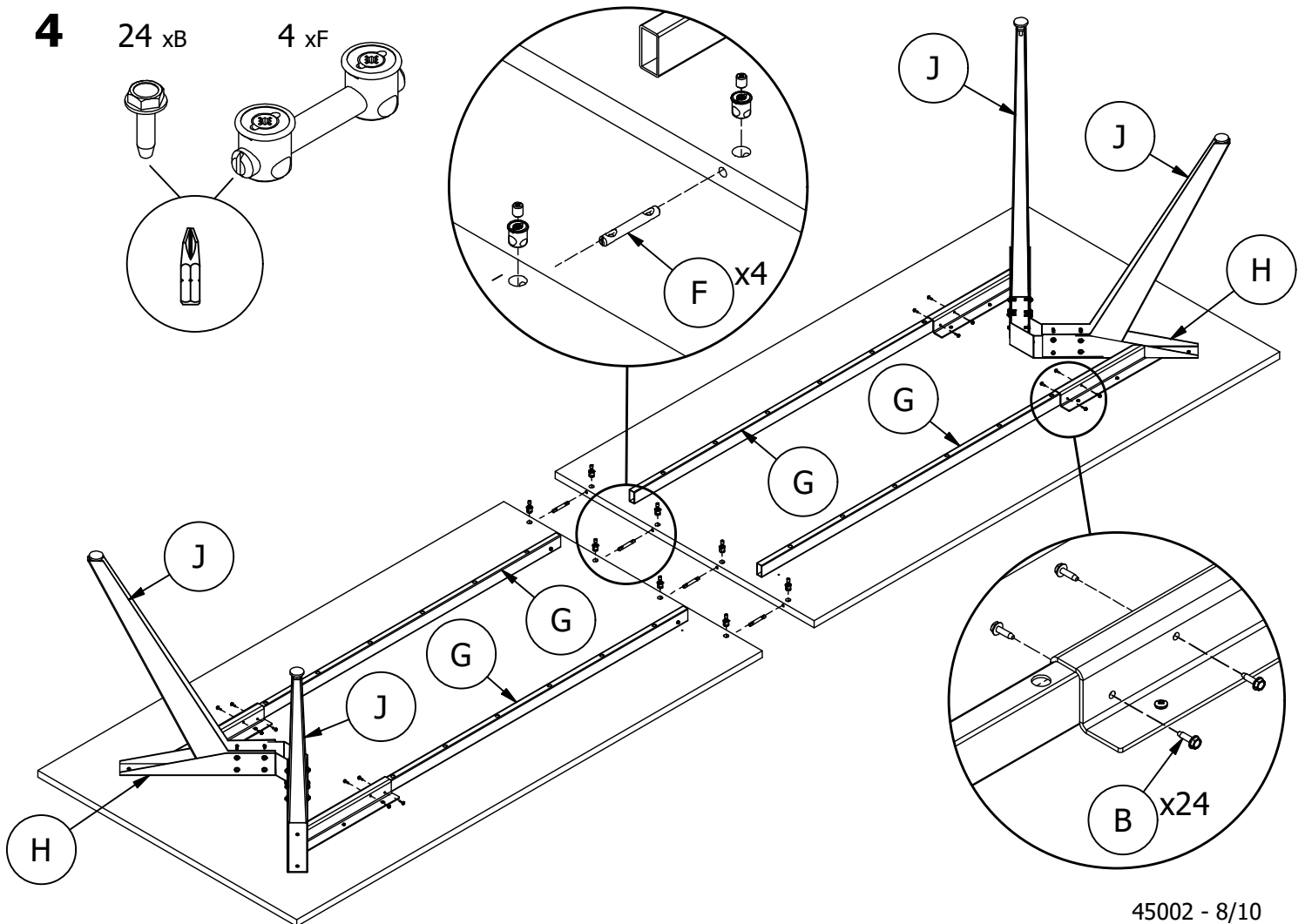
Ø4,5 x 16 mm
Ø 0.18" x 0.63"



4

24 xB

4 xF



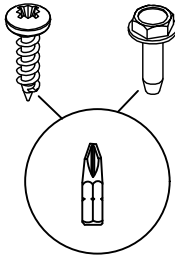
5

64 xA

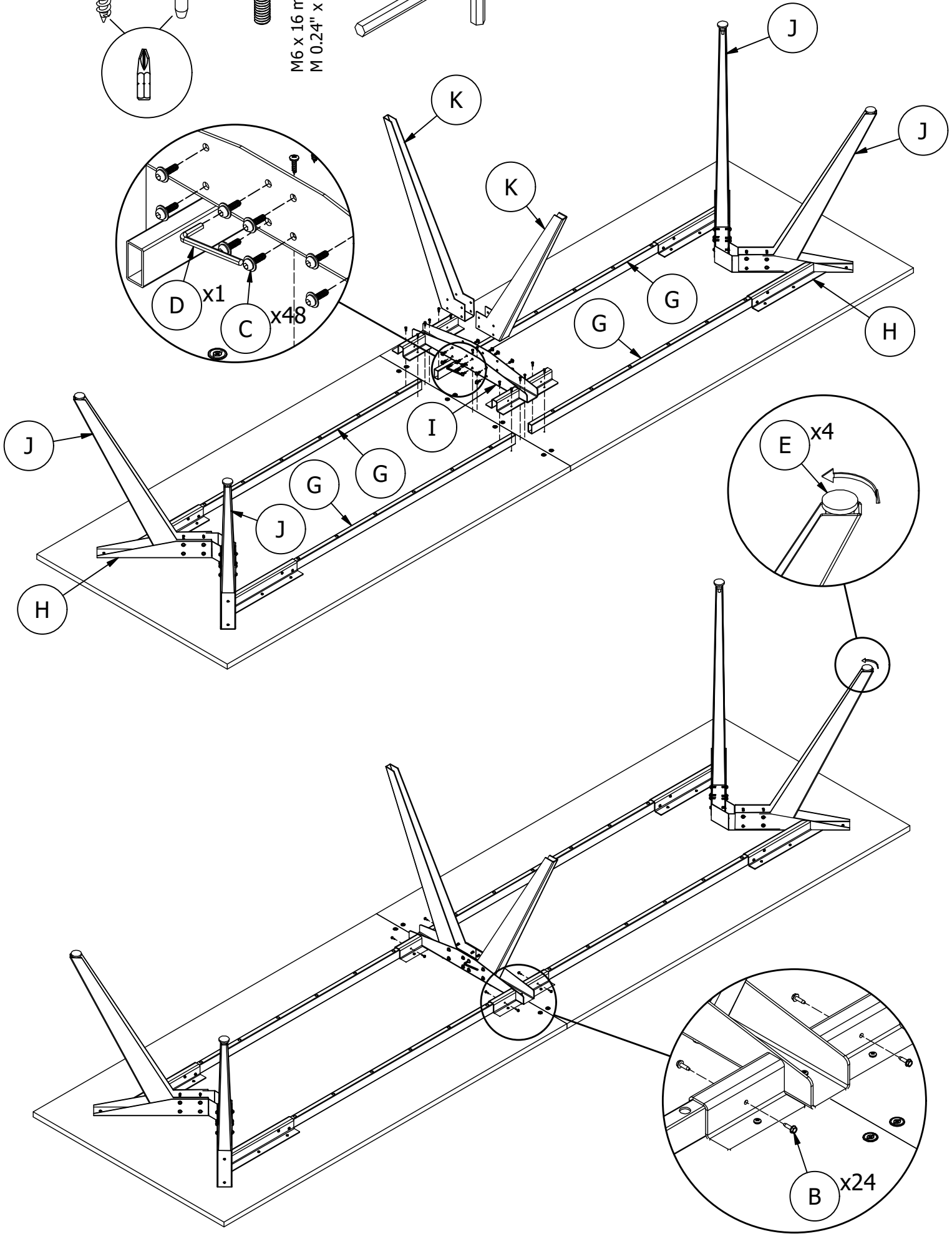
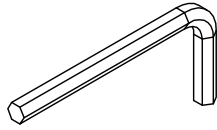
24 xB

48 xB

1 xC



M6 x 16 mm
M 0.24" x 0.63"



HOLMRIS B8

Furniture Care Instructions

Veneer Product:

The furniture is lacquered and do not require specific care.

Daily cleaning should be done using a soft dry cloth. Once in a while clean with a cloth rinsed with warm water and wrung out tightly.

Linoleum:

Daily cleaning of linoleum should be done using a mild cleaning solution. We recommend using cleaning product with a PH value between 5 and 9 in diluted form. We also recommend using a linoleum care product twice a year.

If very soiled use mild cleaning product to recommended dilution. Follow with clean water and linoleum specific care product.

Laminate:

No specific care required.

Laminate is a plastic product and can be cleaned using most non-abrasive cleaning products.

General:

Never place your furniture in a wet room, or other places with large changes in temperature and moisture. This will compromise the look and life span of the furniture.