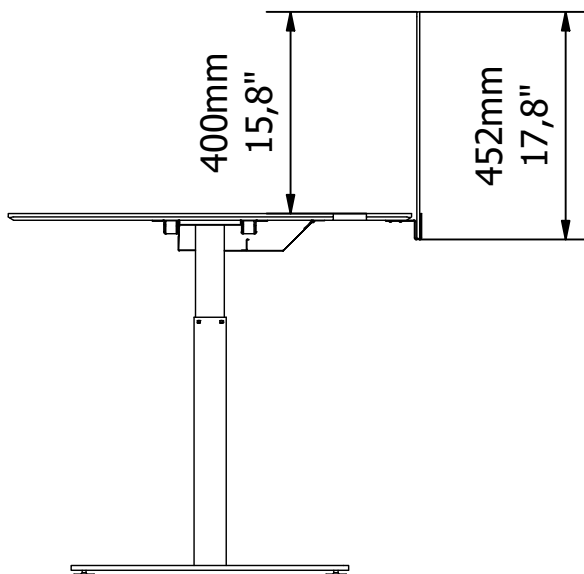
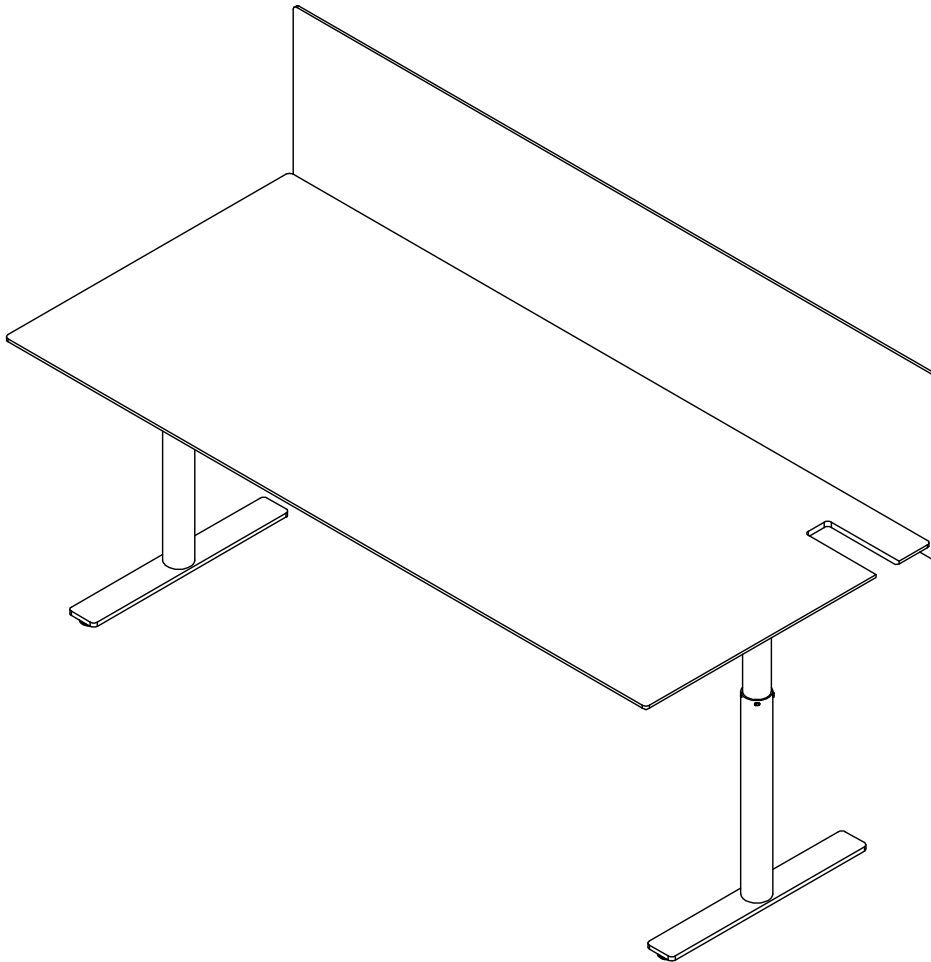
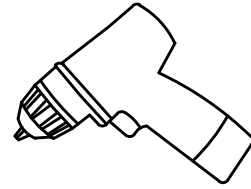
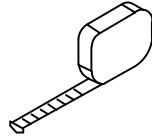
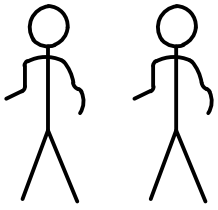


# Assembly Instructions

## S60 Screens

---



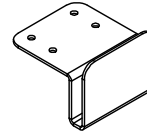


16 xA

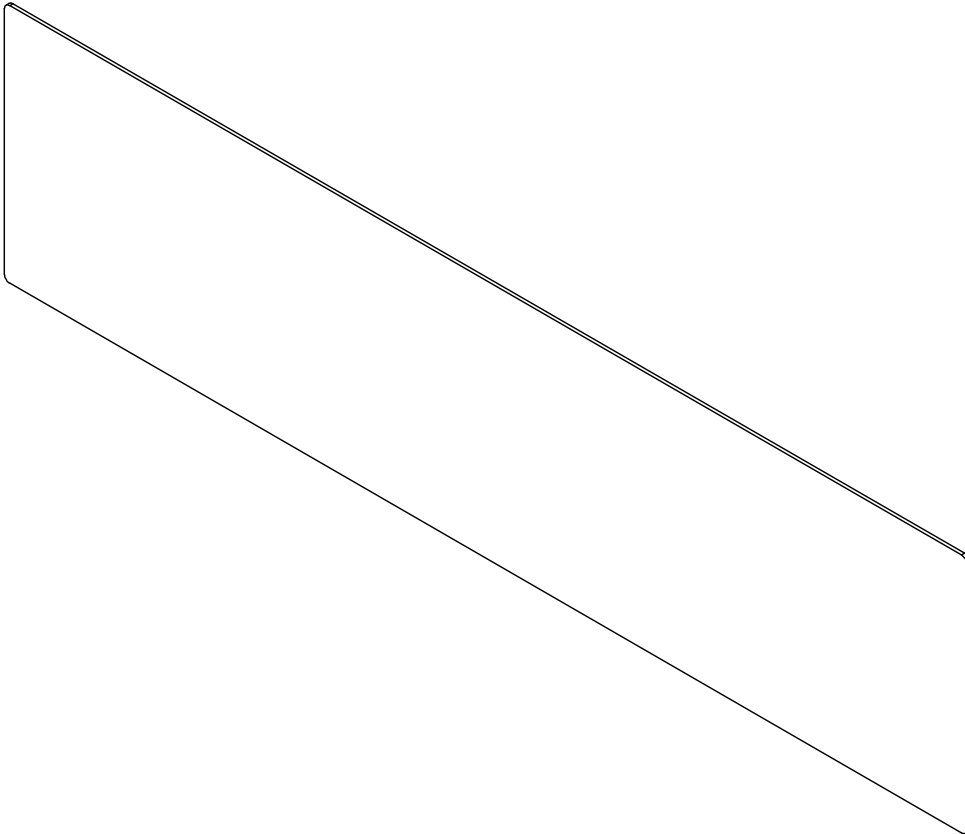


Ø4,3 x 13 mm  
Ø 0.17" x 0.51"

4 xB

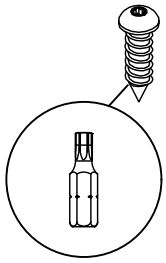


1 xC

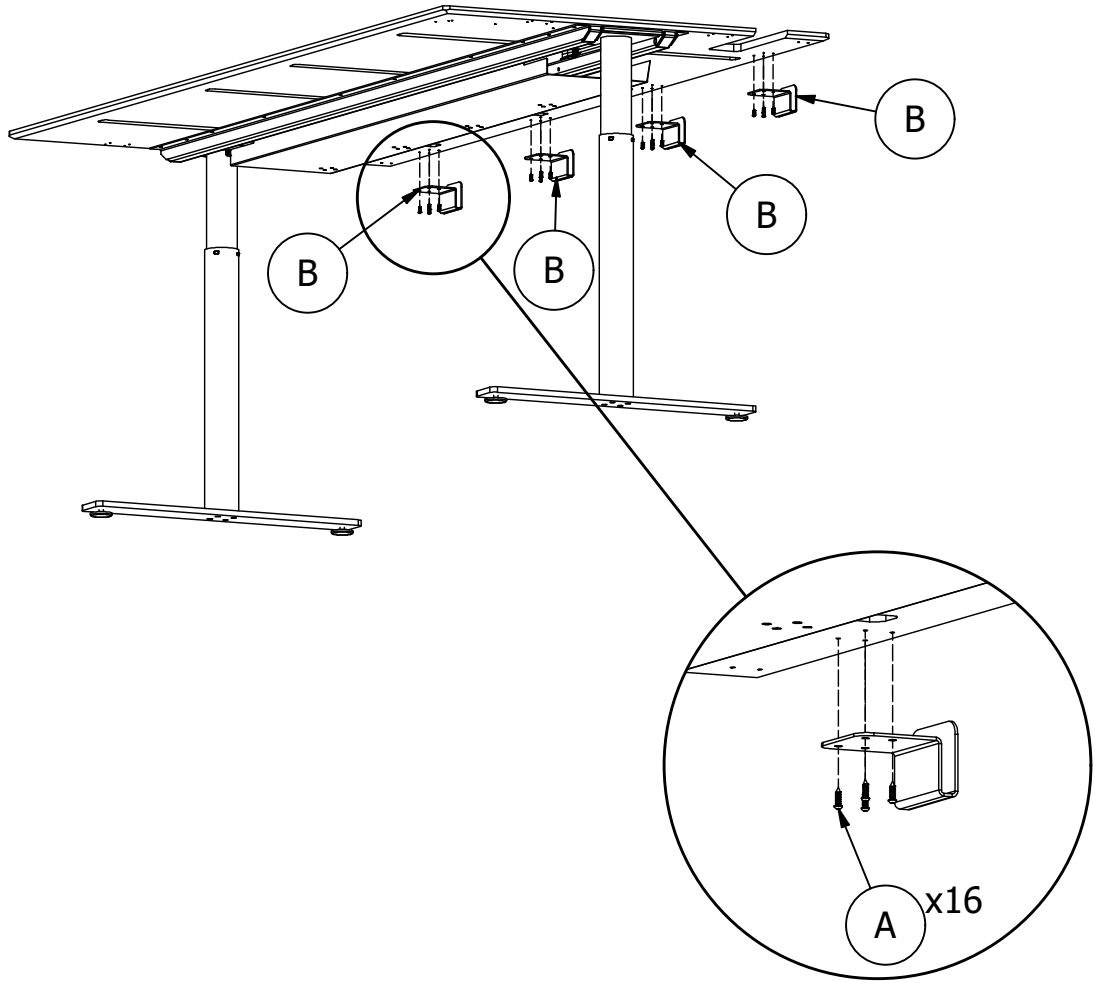
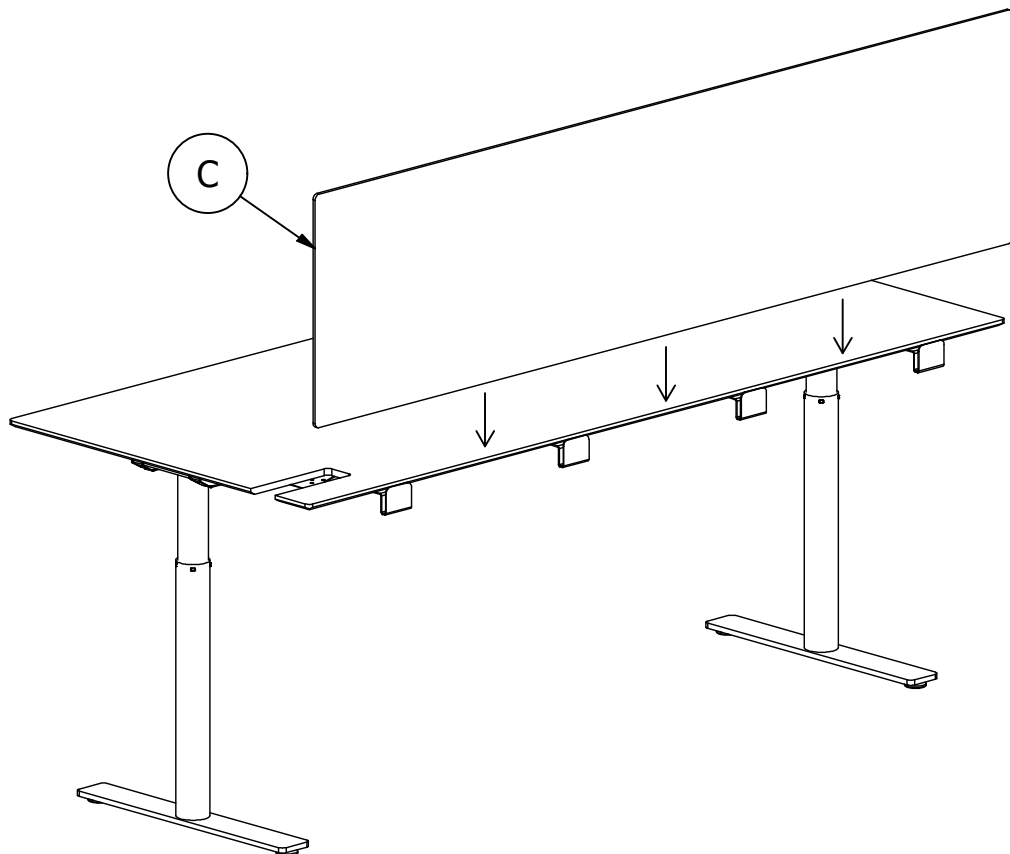


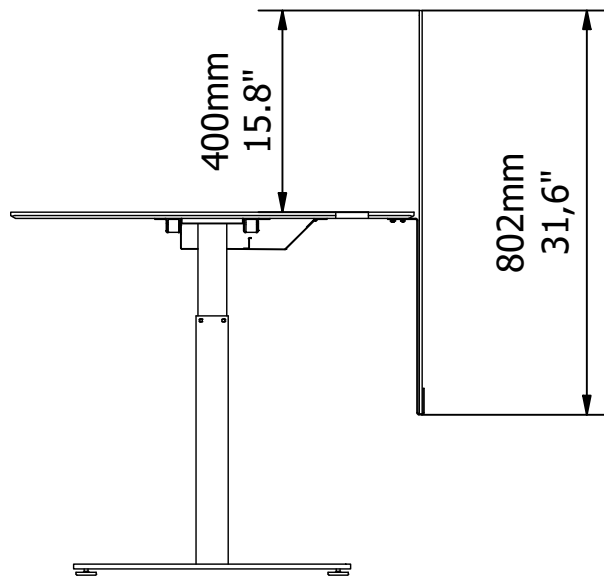
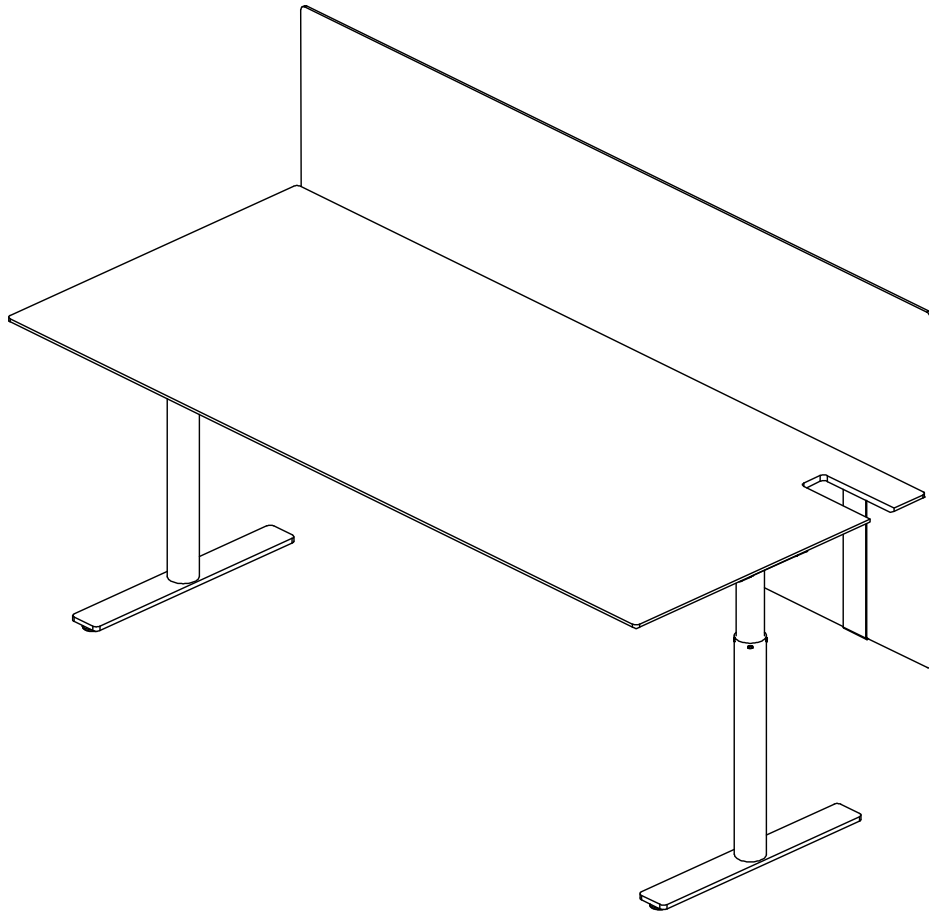
**1**

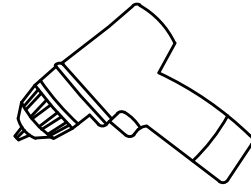
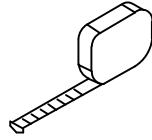
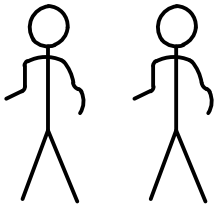
16 xA



ø4,3 x 13 mm  
ø 0.17" x 0.51"

**2**



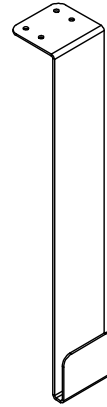


16 xA

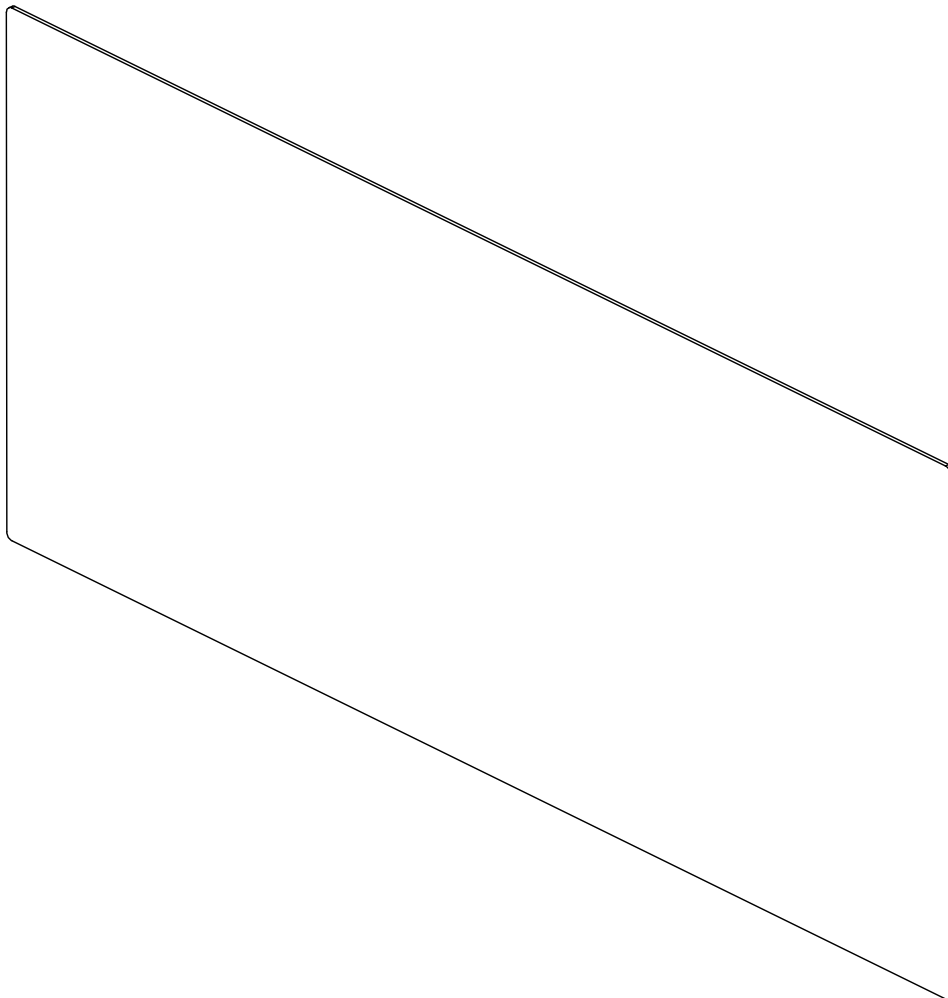


ø4,3 x 13 mm  
ø 0.17" x 0.51"

4 xB

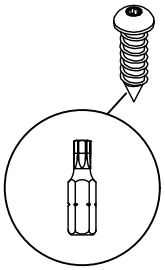


1 xC

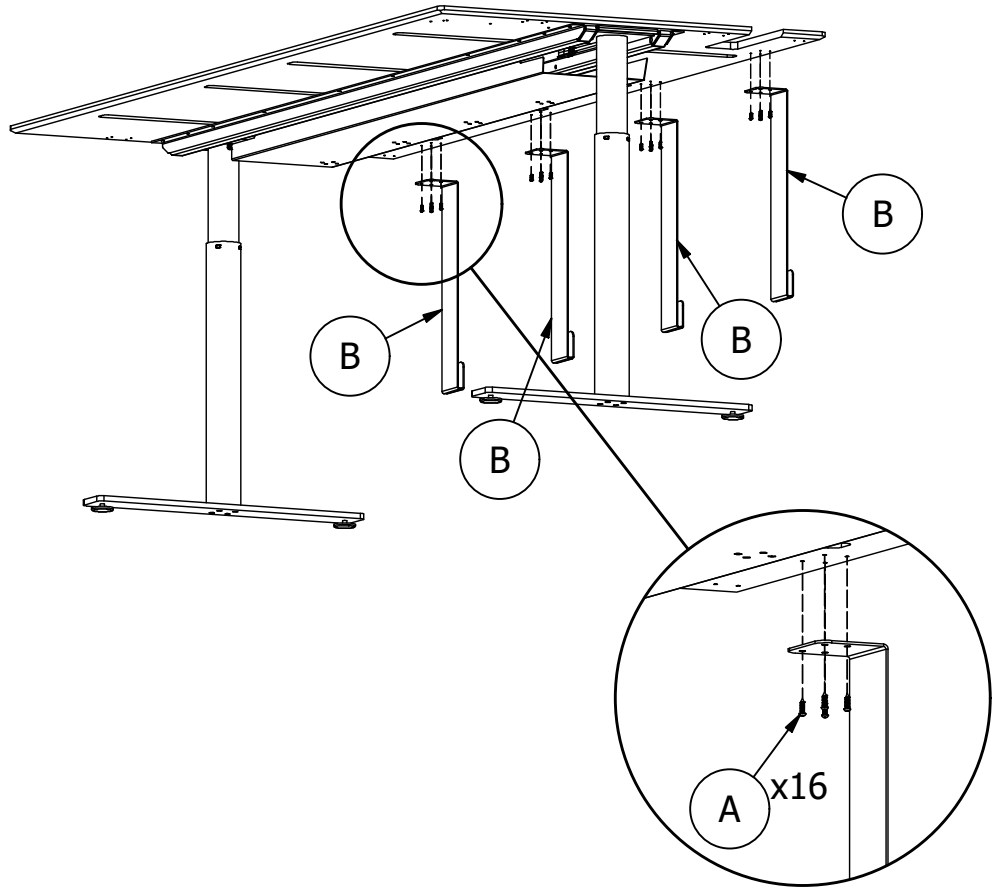


**1**

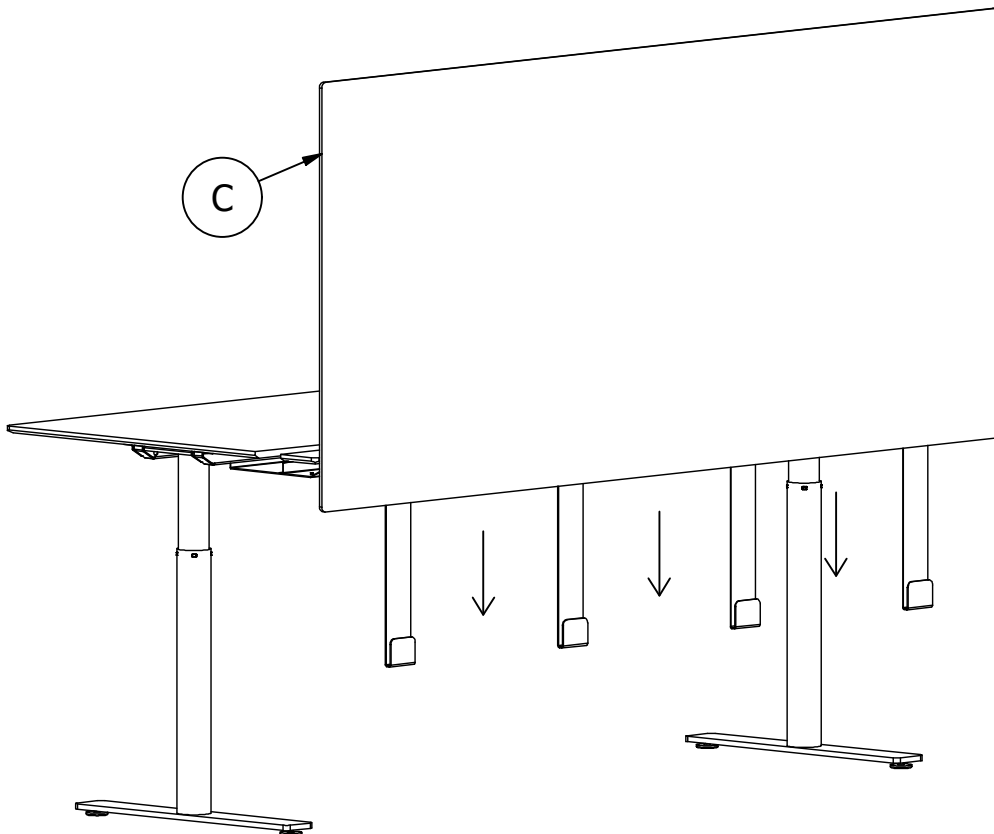
16 xA



ø4,3 x 13 mm  
ø 0.17" x 0.51"



**2**



# HOLMRIS B8

## Furniture Care Instructions

### **Veneer Product:**

The furniture is lacquered and do not require specific care.

Daily cleaning should be done using a soft dry cloth. Once in a while clean with a cloth rinsed with warm water and wrung out tightly.

### **Linoleum:**

Daily cleaning of linoleum should be done using a mild cleaning solution. We recommend using cleaning product with a PH value between 5 and 9 in diluted form. We also recommend using a linoleum care product twice a year.

If very soiled use mild cleaning product to recommended dilution. Follow with clean water and linoleum specific care product.

### **Laminate:**

No specific care required.

Laminate is a plastic product and can be cleaned using most non-abrasive cleaning products.

### **General:**

Never place your furniture in a wet room, or other places with large changes in temperature and moisture. This will compromise the look and life span of the furniture.