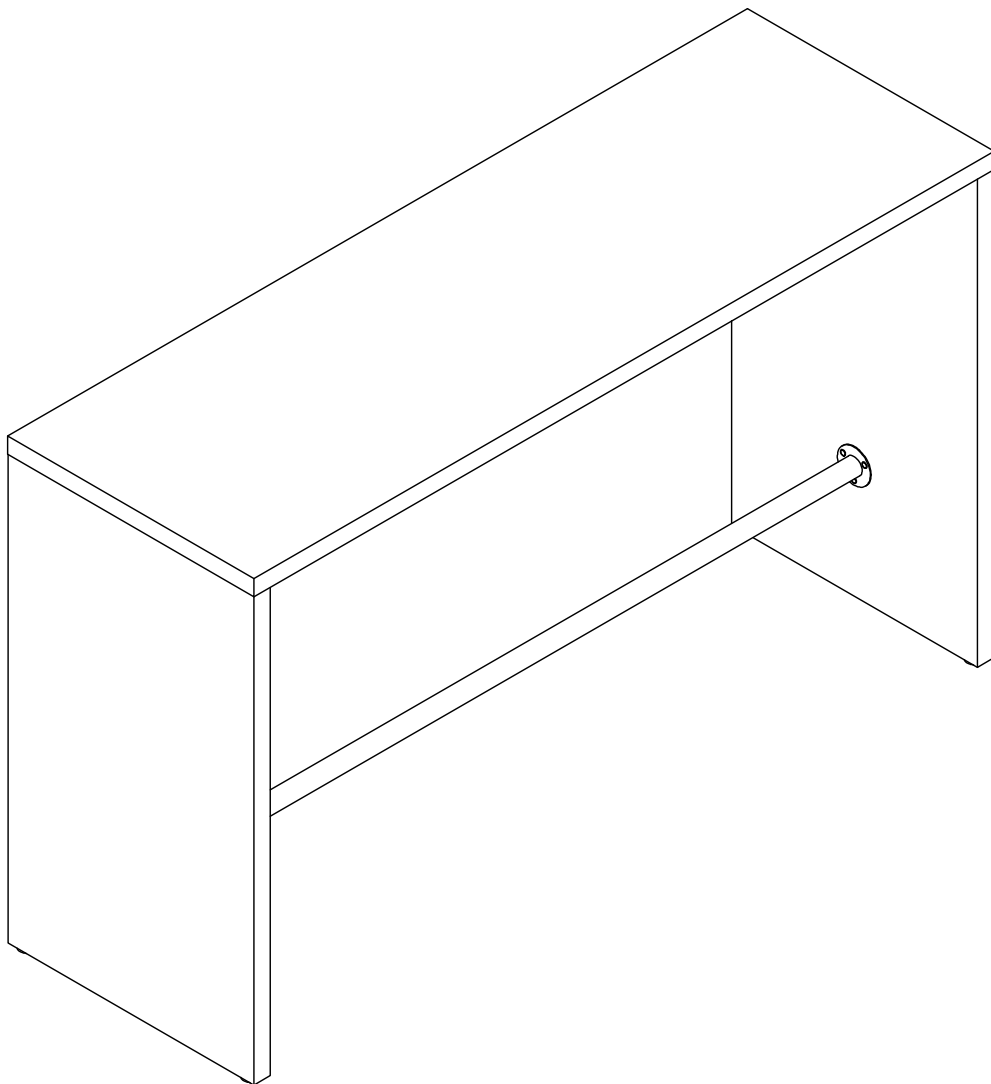
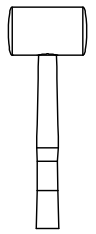
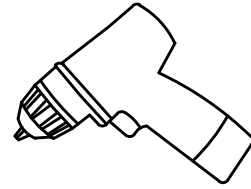
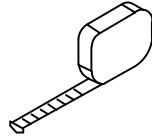
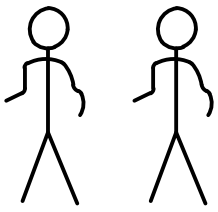


Assembly Instructions

Time Out



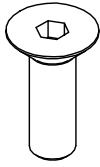


6 xA



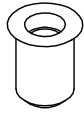
Ø4 x 30 mm
Ø 0.16" x 1.18"

2 xB



M8 x 25 mm
M 0.32" x 0.98"

4 xC



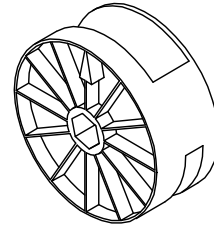
M6 x 15 mm
M 0.24" x 0.59"

20 xD



Ø8 x 32 mm
Ø 0.32" x 1.26"

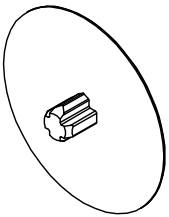
16 xE



16 xF



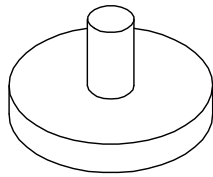
4 xG



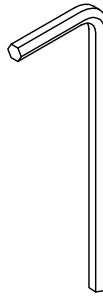
6 xH



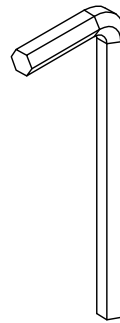
4 xI



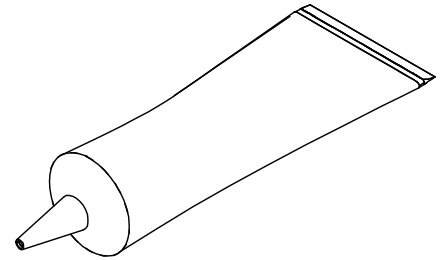
1 xJ



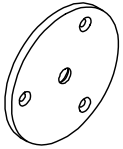
1 xK



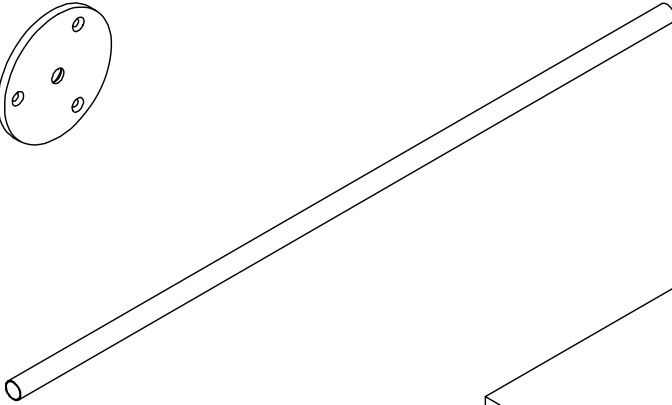
1 xL



2 xM



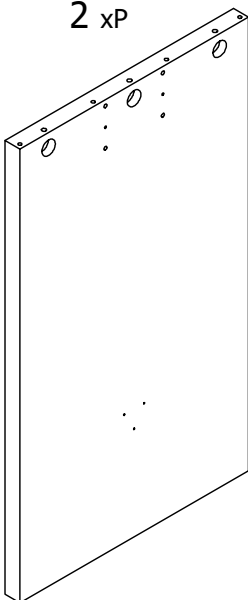
1 xN



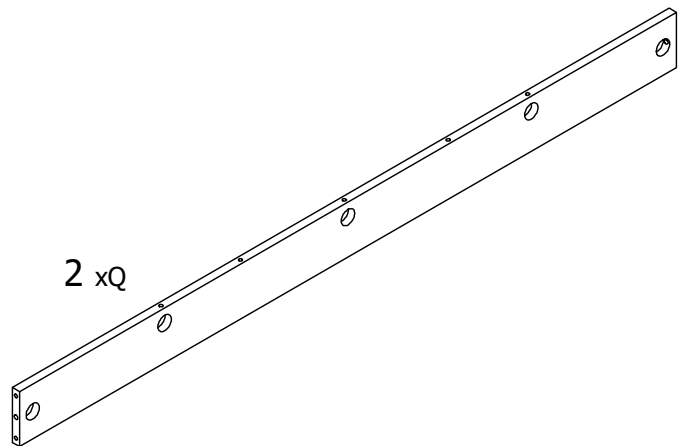
1 xO



2 xP



2 xQ



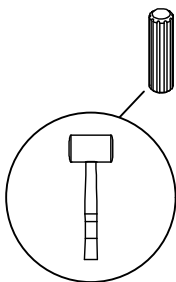
1

20 xD

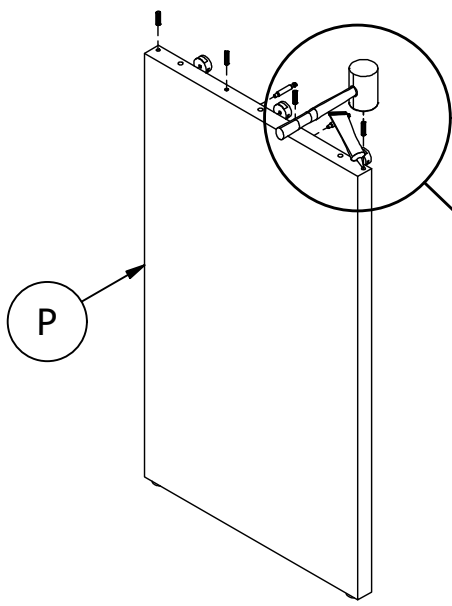
1 xL

16 xE

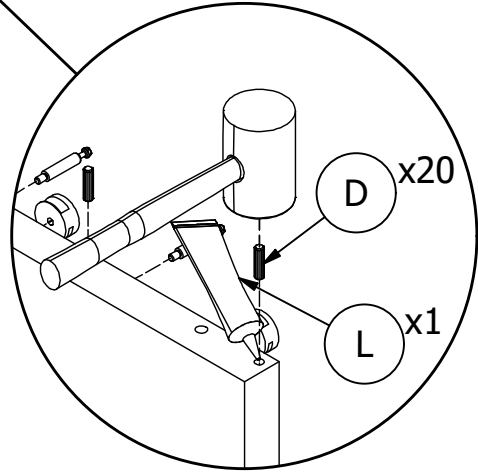
16 xF



Ø8 x 32 mm
Ø 0.32" x 1.26"

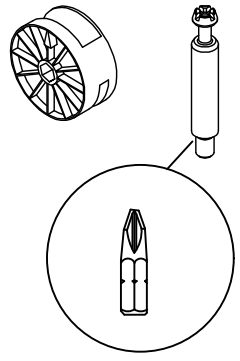


P

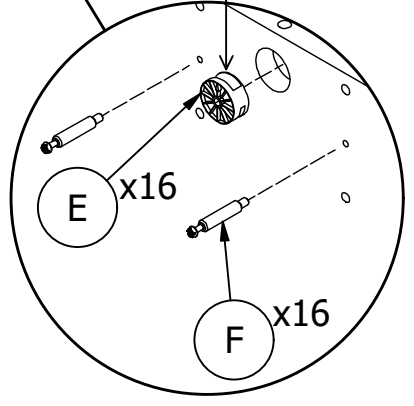


D x20

L x1



UP!



E x16

F x16

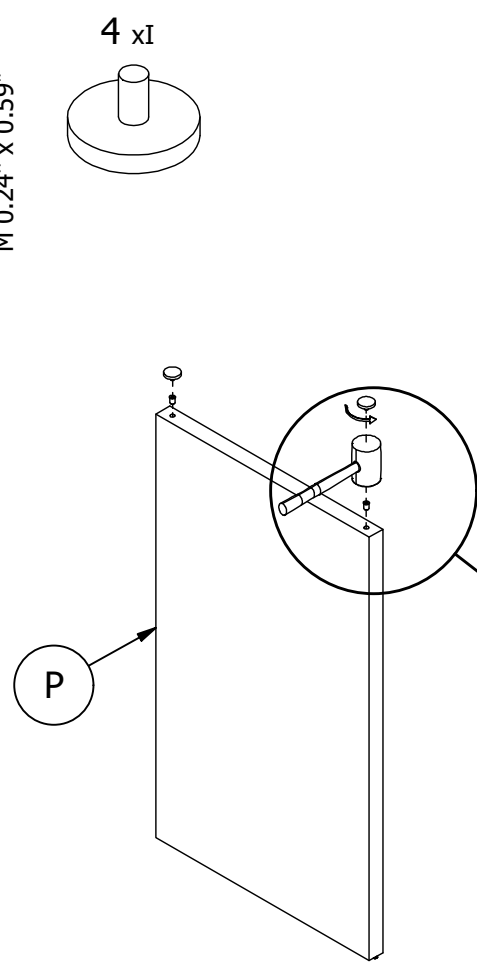
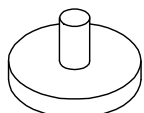
2

4 xC

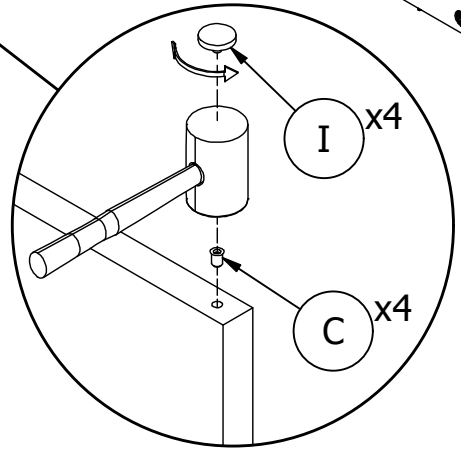
4 xI



M6 x 15 mm
M 0.24" x 0.59"

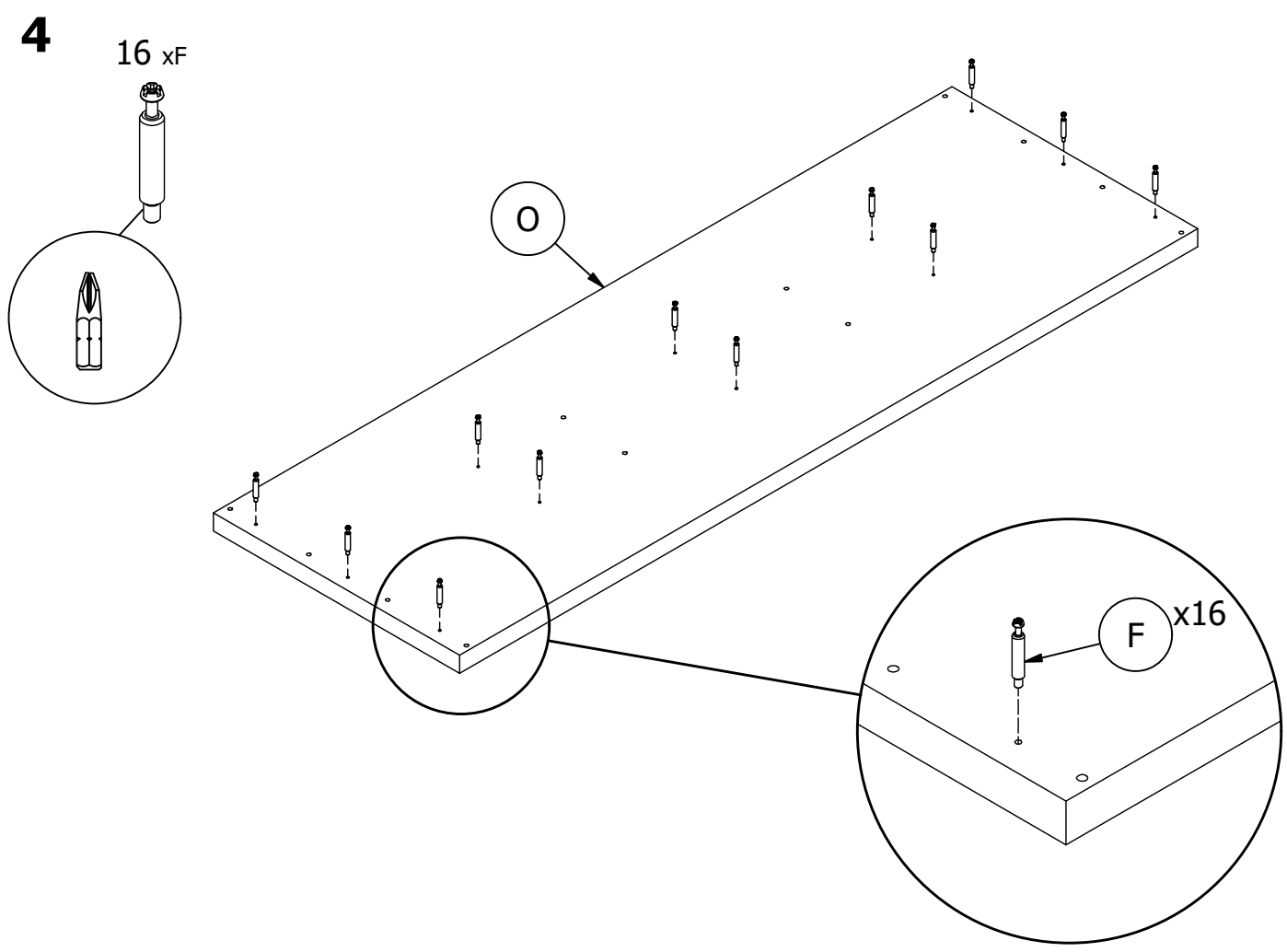
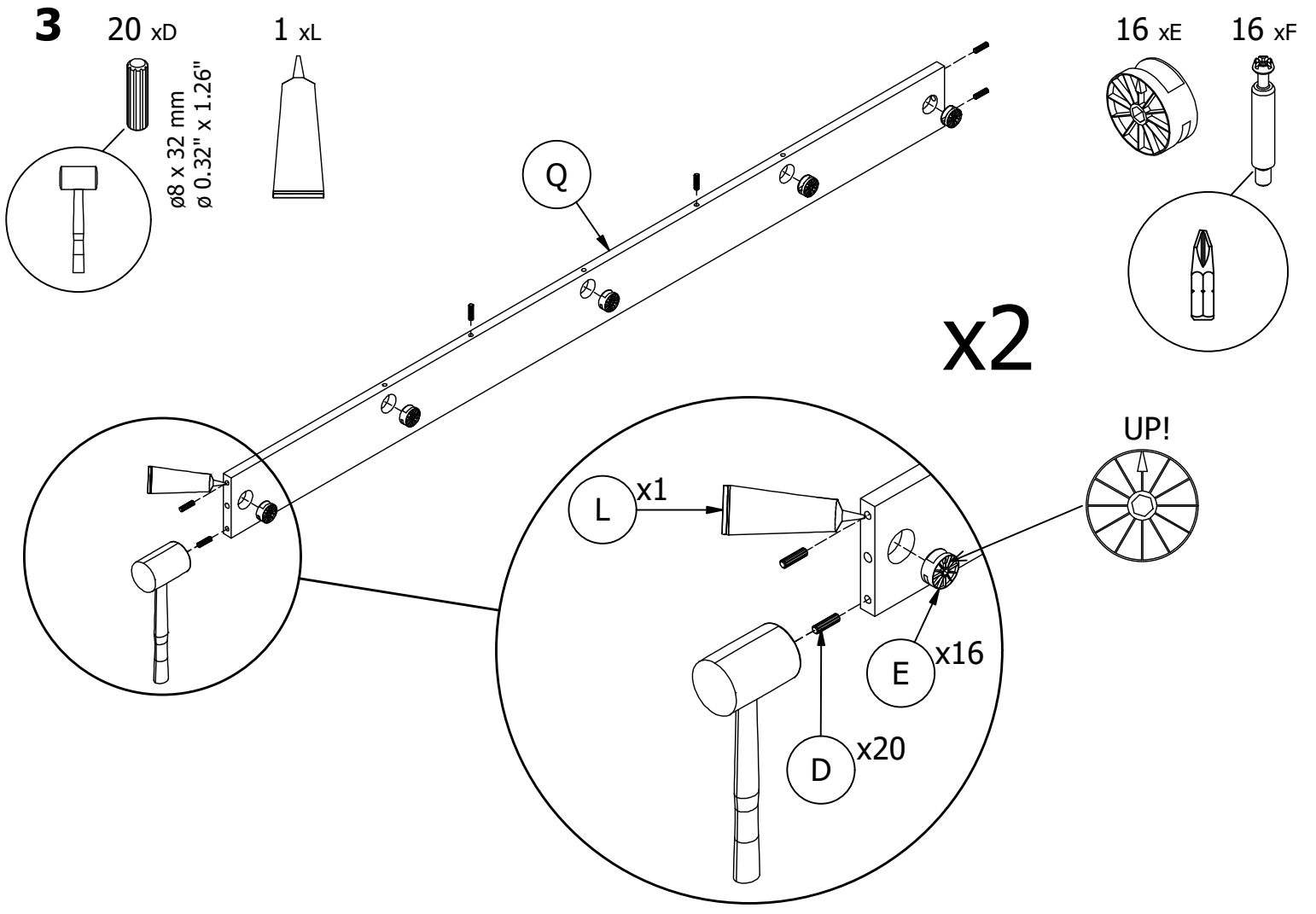


P



I x4

C x4



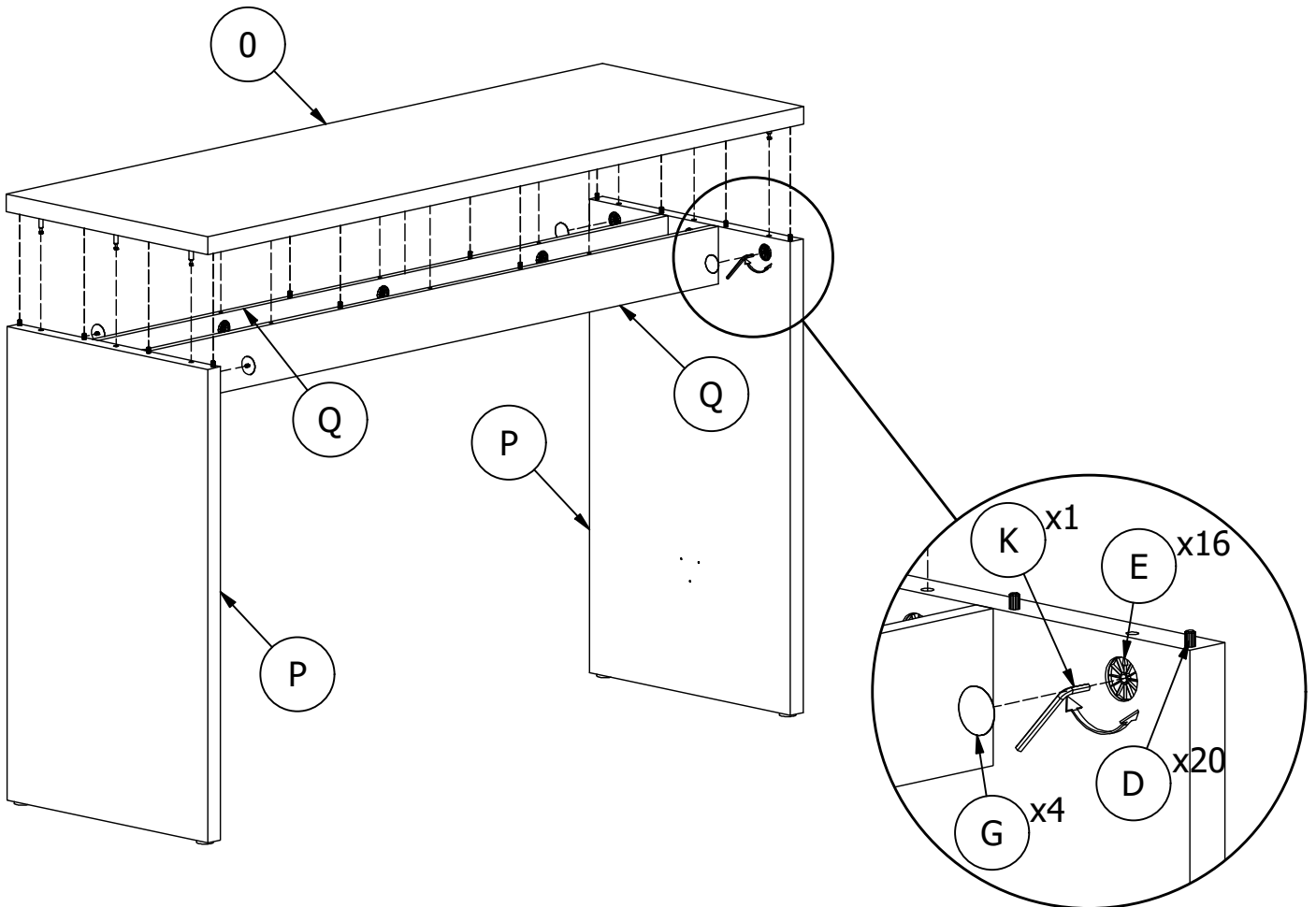
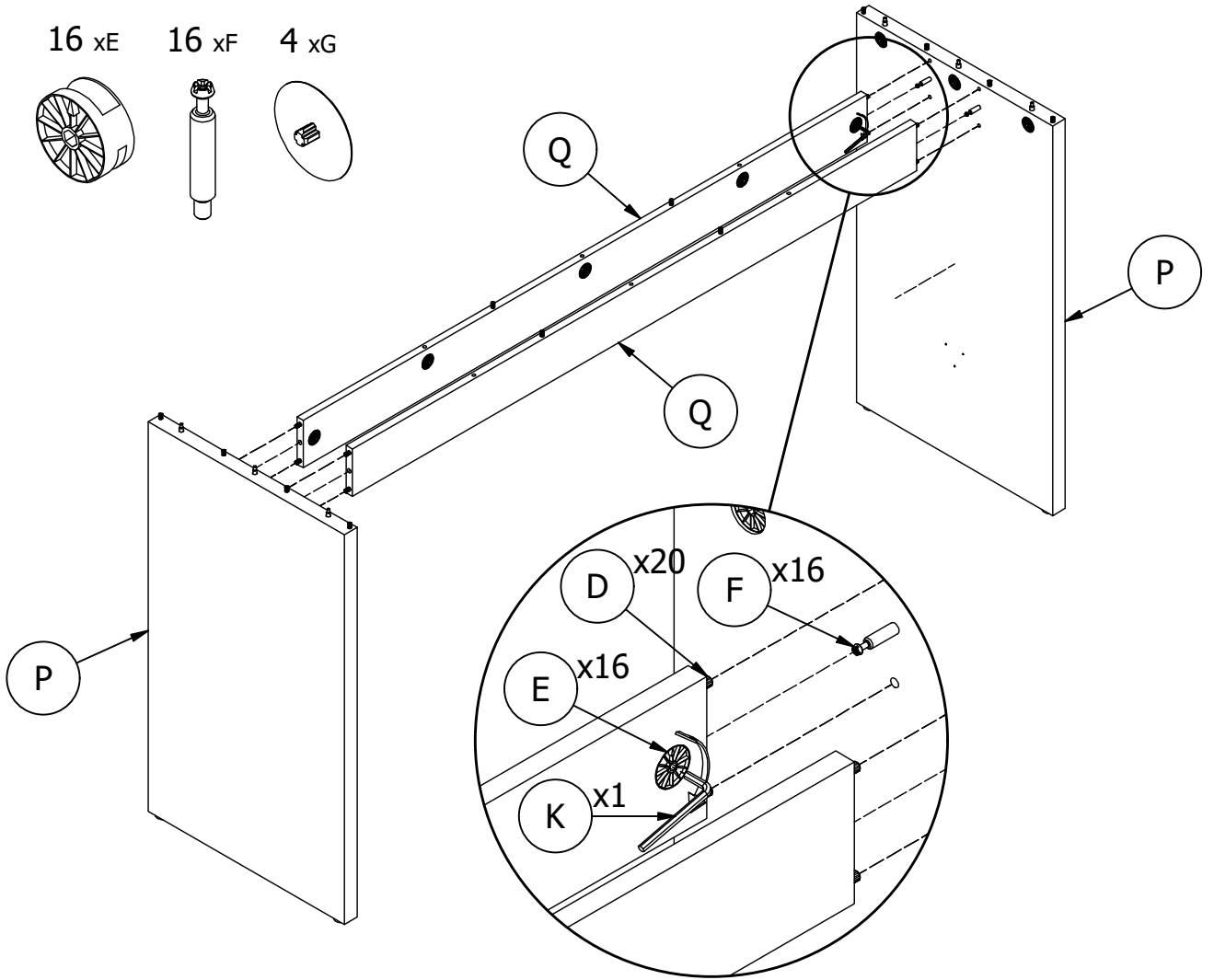
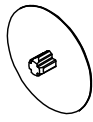
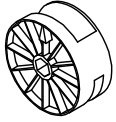
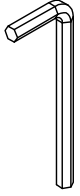
5

1 xK

16 xE

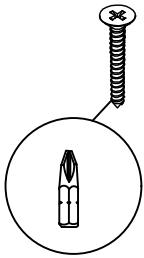
16 xF

4 xG



6

6 xA

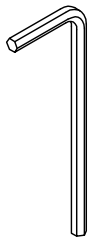


ø4 x 30 mm
ø 0.16" x 1.18"

6 xH



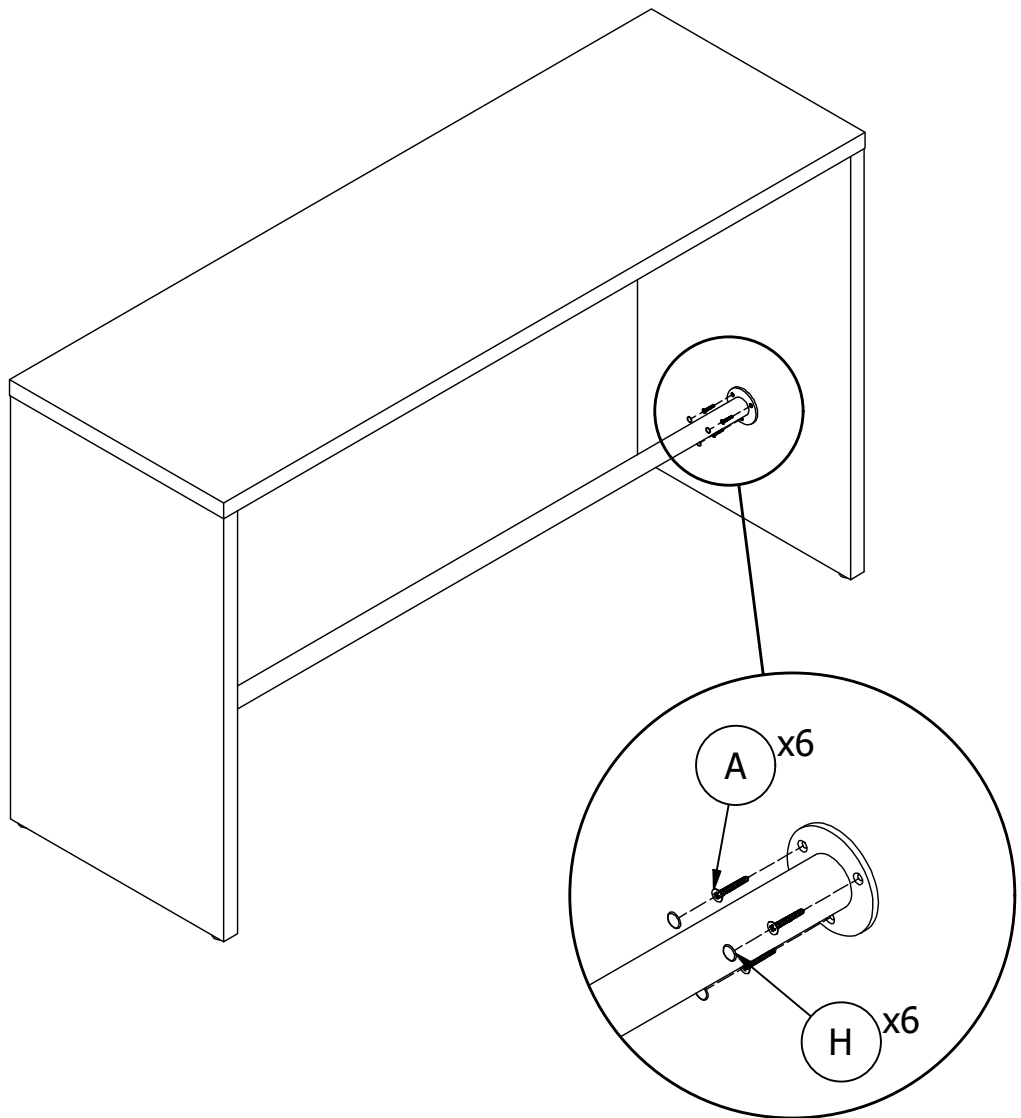
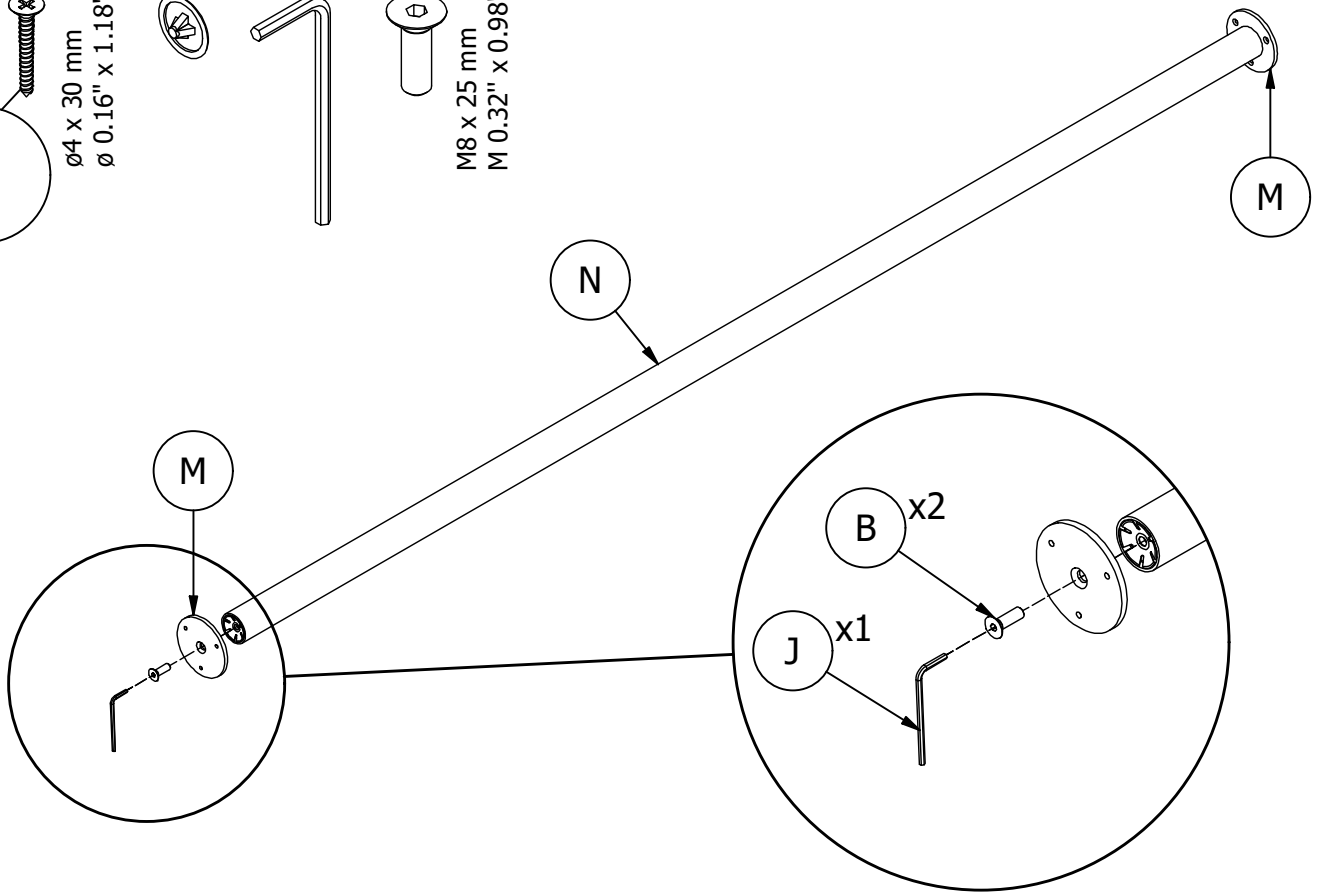
1 xJ



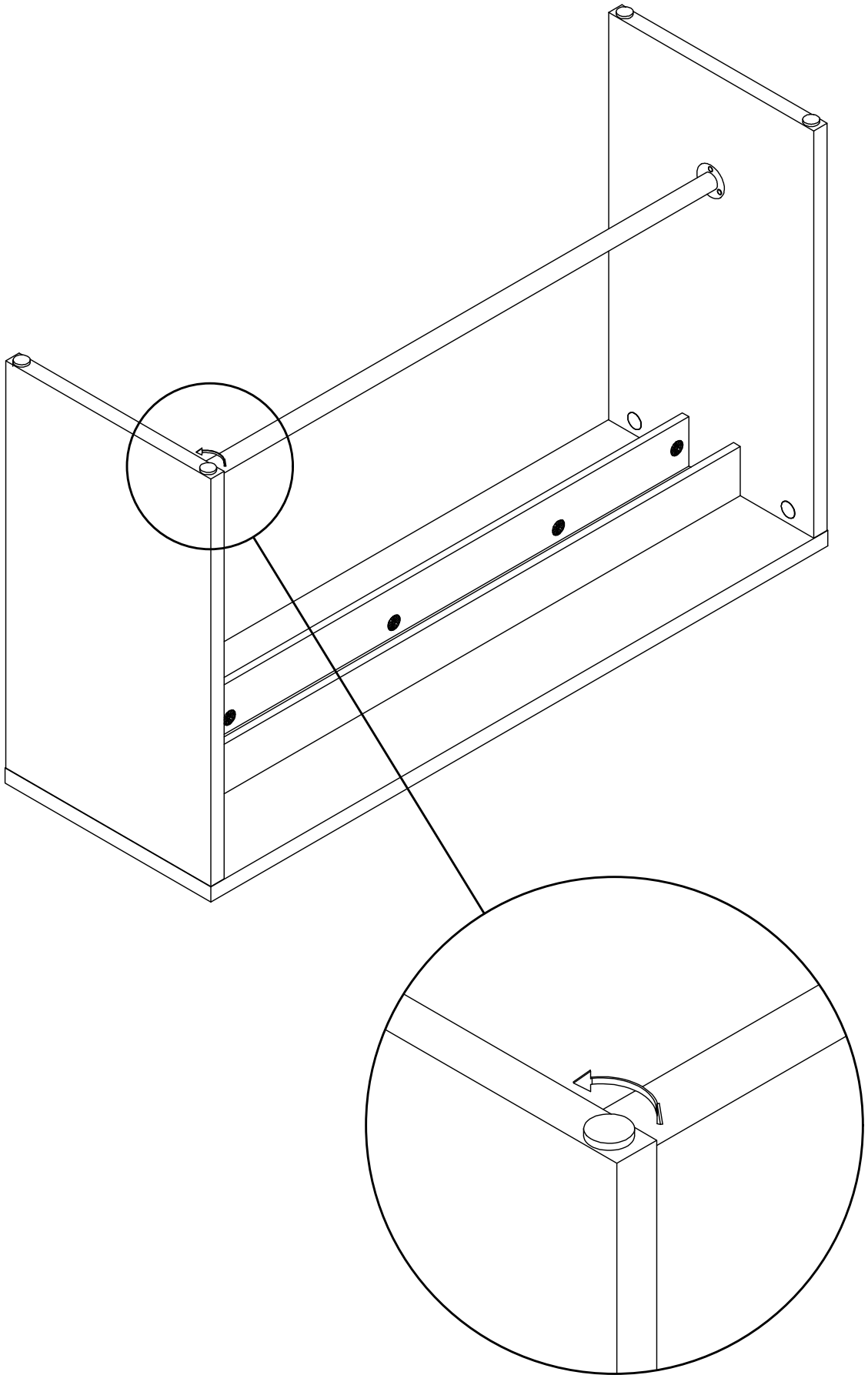
2 xB



M8 x 25 mm
M 0.32" x 0.98"



7



HOLMRIS B8

Furniture Care Instructions

Veneer Product:

The furniture is lacquered and do not require specific care.

Daily cleaning should be done using a soft dry cloth. Once in a while clean with a cloth rinsed with warm water and wrung out tightly.

Linoleum:

Daily cleaning of linoleum should be done using a mild cleaning solution. We recommend using cleaning product with a PH value between 5 and 9 in diluted form. We also recommend using a linoleum care product twice a year.

If very soiled use mild cleaning product to recommended dilution. Follow with clean water and linoleum specific care product.

Laminate:

No specific care required.

Laminate is a plastic product and can be cleaned using most non-abrasive cleaning products.

General:

Never place your furniture in a wet room, or other places with large changes in temperature and moisture. This will compromise the look and life span of the furniture.