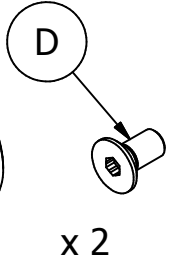
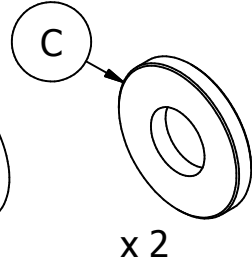
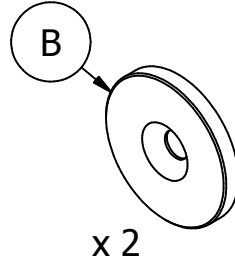
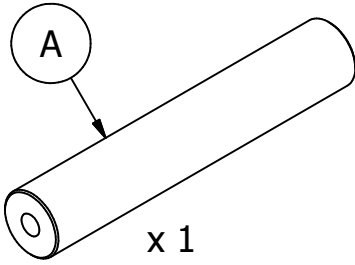
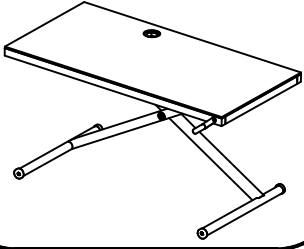
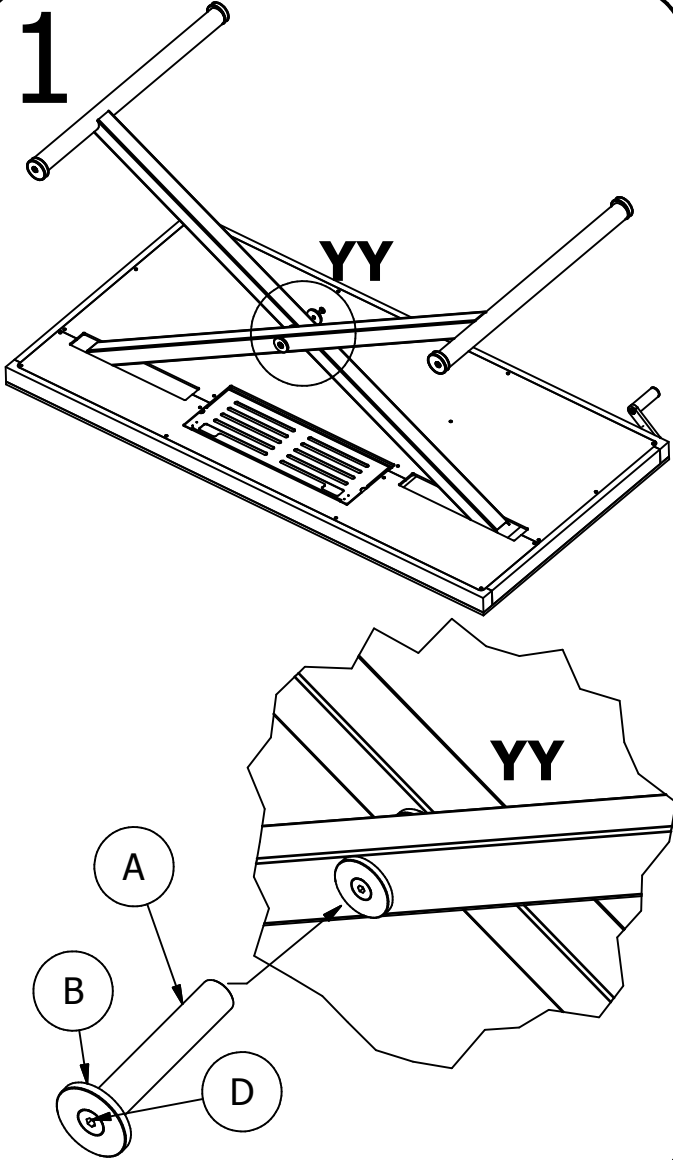


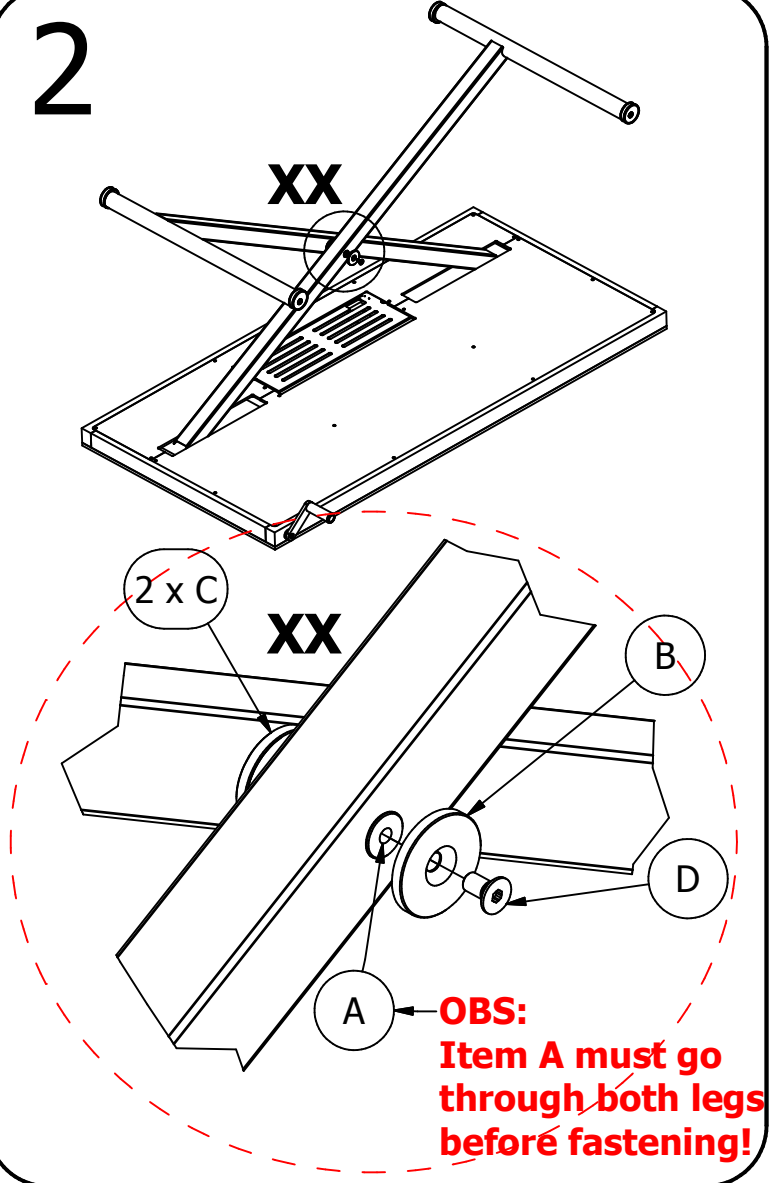
X-Table



1



2



3

